



Page 31
Large frame



Page 8
Series 7000



Page 15
Lube reels

Reel Catalog

Hose, cord and cable reels

reelcraft.com



Why use hose reels?

Why use hose reels? Because they make hose handling more efficient and safer. Your hoses, cables and cords will last up to five times longer. You will improve hose management, which decreases labor costs. Your chances of injuries from tripping

hazards will decrease, which saves lost work time, medical bills and higher insurance. You also save the expense and time to replace expensive hoses, cables and cords that get run over by fork lifts and other vehicles.



Series TW7000

Truck courtesy of E&B Paving, Anderson IN

Five reasons why hose reels add value



Improve efficiency
Hoses, cable and cords are where you want/need them.



Increase safety
Reduce tripping accidents and lost work time.



Minimize leakages
Reduce costs of air and water leakages.



Reduce hose wear
Hose and cords on reels can last up to five times longer.



Increase productivity
No more tangled hoses improves efficiency.



Series 7000

Front Cover: L-R: Nordic Series Large Frame Reels; Series 7000; Series 7000 & 80000 Lube Reels

Back Cover: L-R: Series 80000; Series TW7000, truck provided by E&B Paving, Anderson, IN; Series 30000, photo courtesy of Zedos United, Singapore.

OSHA says reduce your trips and falls

“There are many situations that may cause slips, trips and falls. The controls needed to prevent these hazards are usually obvious, but too often ignored, such as... coiling up extension cords, lines and hoses when not in use and keeping

electrical and other wires out of the way.” OSHA’s “Fall Prevention Tips” include, “Practice good housekeeping. Keep cords, welding leads and air hoses out of walkways or adjacent work areas.

Source: www.osha.gov

Same-day quick ship program offers fastest service

Because we are centrally located in the US and have three North American warehouses, upon request, we can quickly ship our standard products the same day for domestic orders of five or fewer standard models. Orders must be received by 11:30 am local time. Look for the shipping icons in this catalog for designated models. For the most current list of Quick Ship reels, please visit www.reelcraft.com.



Major markets

- ✓ Industrial
- ✓ Automotive aftermarket
- ✓ Construction
- ✓ Custom reels
- ✓ Fuel Delivery
- ✓ Offshore/oil rigging
- ✓ Trucks/fleets
- ✓ Government
- ✓ Agriculture
- ✓ Aviation
- ✓ Welding
- ✓ Military
- ✓ Mass transit
- ✓ Maritime
- ✓ Chemical Delivery
- ✓ Food Processing
- ✓ Turf Care
- ✓ Much more

North America: **800-444-3134** China: **(519) 8512 2391**
 Europe: **+44 (0) 1536 406999** Pacific Rim: **+63 (45) 625-6624**
reelcraft.com Latin America: **001-260-489-1685**

Reelcraft Industries is
ISO 9001:2000
 Certified Since 1996

Models listed with an icon can be shipped same day upon request when the order is received by 11:30 AM local time for quantities of 5 or fewer.

- Indiana Warehouse
- California Warehouse
- Indiana & California Warehouses
- Canadian Warehouse



Reelcraft: Better by Design

Reelcraft's reels are better by design because of our lasting commitment to excellence. Our engineering team is well known for designing durable, high quality products. Our standard features include durable, corrosion-resistant

powder coat paint, multi-position guide arms for versatile mounting options and heavy-duty, reinforced steel stampings for increased strength. Our reels are permanently factory-lubricated for a long, trouble-free

service life. All of these features, and many more, add up to make "The Reelcraft Difference."

Reinforced Steel
The steel-stamped guide arm is reinforced to reduce bending due to angular pull.

Long Life Drive Spring
Declutching arbor virtually eliminates possibility of spring damage due to reverse winding of reel spool.

Enclosed Drive Spring
Drive mechanism is enclosed for protection against the environment.

Robust Latch
Wide profile combined with special spring assures maximum service life.

Structural Strength
Welded heavy gauge steel frame includes dramatically flanged edges and stiffening ribs for lighter weight, yet stronger components for ease of handling and installation.

Easy to Mount
Attaches to most structurally sound surfaces. Edges are curved for safety.

Improved Connection
The elongated brass connector and proprietary adhesion process provide a better crimp to the hose.

Stress-free Swivel
Our full-flow design combines the highest grade seal design with supporting bearing surfaces to insure the longest possible life.

Corrosion-Resistant
Steel components are individually powder coated to virtually eliminate corrosion.

Long Service Life
Field-proven swivel assures long service life.

Finish with Quality
Our components undergo a special five-stage cleaning process and are individually powder-coated for the highest quality paint adhesion. Excess powder is reclaimed to be environmentally friendly.

Kinkless Hose
High quality PVC hose is specially blended for use on reels

Sealed Connection Points
Swivel and hose inlet connections seal against leaks

Adjustable Guide Arm
Multiple guide arm positions provide versatile uses and easier field adjustment

Trouble-Free Performance
Fewer components increase the service life of the reel and improve performance

Series 7000

Shown: 7850 OLP

North America: **800-444-3134** China: **(519) 8512 2391**
 Europe: **+44 (0) 1536 406999** Pacific Rim: **+63 (45) 625-6624**
 Latin America: **001-260-489-1685**

reelcraft.com





Reelcraft is the industry leader for hose, cord and cable reels available anywhere in the world. Our key focus is to develop quality products that make hoses, cords and cables more productive, keep them easily accessible and make them last longer. Reelcraft is a highly innovative company in our product development and our manufacturing techniques. Since 1996, we are the only U.S. hose reel manufacturer to hold ISO 9001:2000 accreditation and we lead the industry in developing new cutting edge products. Our lean manufacturing and Six Sigma programs give us the core competencies to continue to deliver the world's best reel products.

Walt Sterneman
President of Reelcraft Industries

Reelcraft Industries, Inc. supports our complete line of products with more than 30 years' experience in the design and manufacture of hose, cord and cable reels. We manufacture a complete line of products for many professional and commercial applications including industrial, automotive aftermarket, construction,

aviation, fuel delivery, welding, maritime, food processing, chemical delivery, turf/ag, custom reels and much more. For complete product information or help in solving a hose or cord handling problem, please contact our friendly customer service professionals at 1-800-444-3134 or visit www.reelcraft.com.

Spring driven hose reels

Lighter, economical 6

Series RT
1/4", 3/8", 1/2" I.D.

A new, economical, lighter hose reel designed for low, medium and high pressure applications.



Series RT
Patent No. 7,150,425

Compact reels 7

Series 4000/5000/5005
1/4", 3/8", 1/2" I.D.

For all general air, water, oil or grease applications.



Series 5005

Heavy duty reels 8

Series 7000
1/4", 3/8", 1/2", 3/4" I.D.

Our best-selling reel for low, medium and high pressure applications.



Series 7000

Dual pedestal reels 9

Series DP5000 and DP7000
1/4", 3/8", 1/2" I.D.

Compact interlocking base and balanced swivel.

NEW!

Series DP7000
Patent Pending



Mobile base reels 10

Series D8000 and E8000
1/4", 3/8", 1/2" I.D.

The aluminum cast base and arm offer the highest rigidity among this class of hose reels.



Series D8000

Dual pedestal reels 11

Series 80000 and D80000
3/8", 1/2", 3/4", 1" I.D.

Our largest pedestal-style hose reel with heavy-duty, ball-bearing style swivel for low, medium and high pressure applications.



Series 80000

Large mobile reels 12-13

Series E9000, Nordic Series 3100 and 4800
1/2", 3/4", 1", 1 1/4", 1 1/2" I.D.

Great for high volume air, water, fuel and petroleum applications.



Series E9000

Twin hydraulic 14

Series TH
1/4", 3/8", 1/2" I.D.

Medium pressure for operating hydraulic cylinders, motors or tools.



Series TH 80000

To place an order, please advise:

1. Model number.
2. Product to be handled such as air, oil, water, etc.
3. Maximum operating pressure in P.S.I.
4. Maximum operating temperature in degrees Fahrenheit.
5. Hose inside and outside diameters and length.
6. Installation height, especially if more than 16 feet.
7. Desired guide arm position by adding one of the suffixes to the model number.

Example: 5635 OLP **SW** for side wind.
Refer to the guide arm chart for guide arm suffix codes.

Additional Considerations:

A flexible connection between the reel and the source of supply is required to prevent possible misalignment and binding. Non-flexible connections will void the warranty. The pressure rating of inlet hose must be equal or greater than the rating of the reel.

Accessories

Reels ordered with hose and bumper are assembled complete and ready to install. Order bumpers separately for reels without hoses.

Warranty and Return Information

Please refer to page 48.

Additional questions? Please visit reelcraft.com or call for assistance. For more than 30 years, our specialty is offering hose handling solutions.

North America: **800-444-3134** China: **(519) 8512 2391**
Europe: **+44 (0) 1536 406999** Pacific Rim: **+63 (45) 625-6624**
reelcraft.com Latin America: **001-260-489-1685**

Reelcraft Industries is
ISO 9001:2000
Certified Since 1996

Models listed with an icon can be shipped same day upon request when the order is received by 11:30 AM local time for quantities of 5 or fewer.





 Indiana Warehouse
 Indiana & California Warehouses
 California Warehouse
 Canadian Warehouse

Table of Contents



Fuel reels

15

3/4", 1", 1 1/4", 1 1/2" I.D.

For low pressure applications. Equipped with fuel-grade hose.



Series 80000 Fuel

Grounding reels

15

Series G 3000

Used to dissipate static electricity when transferring flammable materials on fuel trucks, in chemical plants and more.



Grounding Reels

Complete line of stainless steel reels

Stainless steel reels

16

3/8", 1/2", 3/4", 1" I.D.

Full line of stainless steel reels for low and medium pressure applications.



7000 OMS

Pre-rinse, drinking water hose reels

18

3/8", 1/2" I.D.

Several models for pre-rinse applications and potable (drinking) water.



Drinking water

Pre-rinse

Composite reels

19

Series S

3/8", 1/2" I.D.

Lighter weight, easy-to-handle for low pressure air or water. Ideal for wash-down applications.



Series S

Pressure wash

20

Series PW, H18006 and 30000

1/4", 3/8", 1/2" I.D.

Many models for high pressure applications. Spring driven, hand crank and motor driven rewind.

NEW!



Series PW7000

General use

21

Series CU and H

3/8", 1/2", 3/4" I.D.

Hand crank: ideal for medium duty general use applications.



Series CU

Heavy duty, long hose lengths

22

Series 30000

1/2", 3/4", 1" I.D.

For low and medium pressure applications requiring long hose. Hand crank, air motor, bevel crank and electric motor rewind.



Series H



Series 30000

COPYRIGHT NOTICE

All rights reserved. No part of the material protected by this copyright may be reproduced or utilized in any form or by any means, electronic or mechanical, including photocopying, recording, broadcasting or by any other information storage and retrieval system without written permission from Reelcraft Industries, Inc.

Reelcraft, Wind Things Up, Work Smarter, Nordic, Hose Boss, ReelTek, Polycraft, Safe-T-Reel, Better by Design, Built Better to Perform Better and Rely on Reelcraft are the trademarks and service marks of Reelcraft Industries, Inc. registered in the United States and/or other jurisdictions. You shall not display,

disparage, dilute or taint our trademarks and service marks or use any confusingly similar marks, or use our marks in such a way that would misrepresent the identity of the owner. Any permitted use of our trademarks and service marks inures to the benefit of Reelcraft Industries, Inc.

All other trademarks, service marks or registered trademarks appearing on these pages are the trademarks or service marks of their respective owners. Super Swivel, Full Circle swivel, Viton, Quiet Speed, Buna, Push Lok, Quiet Speed, Stubby, Stubby II, Delrin and Pos-i-Latch are not owned by Reelcraft Industries, Inc.



Located in Northeast Indiana since 1971, Reelcraft's global headquarters' office and manufacturing space is a state-of-the-art 130,000 square foot facility. Because we are centrally located in the US, we can quickly ship our standard products the same day for domestic orders received by 11:30 am local time (U.S) or by 11:00am (Canada).

Reelcraft's global offices serve:

- ✓ Australia
- ✓ Europe/UK
- ✓ Canada
- ✓ Asia/Pacific Rim
- ✓ Central America
- ✓ South America
- ✓ Middle East

North America: **800-444-3134** China: **(519) 8512 2391**
 Europe: **+44 (0) 1536 406999** Pacific Rim: **+63 (45) 625-6624**
 Latin America: **001-260-489-1685**
reelcraft.com





Reelcraft's product quality starts with modern engineering techniques for maximum strength through better design, better materials and tested and proven products. We are committed to superior manufacturing processes by producing our steel components from hard tooling (dies) that increase product strength and reliability compared with simply bending metal in press breaks. In addition, we offer more levels of industrial products: Good, Better, Best and Ultimate. Our customers report that superior value is why they choose Reelcraft reels. All of these qualities and more add up to make "The Reelcraft Difference.™"

Reelcraft Industries is
ISO 9001:2000
Certified Since 1996

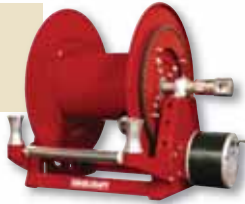
Large Frame Hose Reels

"A" frame 25

Nordic Series 1200

3/4", 1" I.D.

"A" frame design for increased rigidity and maximum durability. Hand crank or motor driven.



Series 1200

Modular, t-slot 28

Series 40

1", 1 1/4", 1 1/2" I.D.

Durable, reliable, modular large frame reel is fully customizable to fit your specs. Gear drive, chain drive, hand crank and bevel crank.



Series 40

Steel large frame 27-31

Nordic Series 2400, 3900, 3700 and 5900

1/2", 3/4", 1", 1 1/4", 1 3/8", 1 1/2", 2", 2 1/2", 3", 4" I.D.

Rugged and durable, gear-drive, crank rewind or chain and sprocket drive powered by electric motor.



Series 3700

Propane reels 30

Nordic Series 3900 LPG, 80000 and D80000

3/4", 1", 1 1/2" I.D.

Propane reels designed with U/L certified swivel for LPG dispensing. Motor driven and spring driven reels.



Series 3900 LPG

Petroleum service 32

Nordic Series 3800

1 1/2", 2" I.D.

Inverted reel fits under the canopy of petroleum service trucks. Fluid path is designed for dispensing petroleum.

Series 3800



Single wrap reels 33

Nordic Series 6000

1 1/2", 2", 3" I.D.

Single wrap reel offers the narrowest profile available to store and retrieve fueling hoses.



Series 6000

Power cord and light reels

Light and medium duty 34

Series LD, LG, LH

Light and power cord reels for less demanding applications. Quality materials offering lighter weight solutions.

Hand crank reels 34

Series LH

Portable power made easier with the storage of up to 100' of 10/3 power cord.

Heavy duty reels 35-39

Series L4000, L5000, 30000, Nordic CR

A variety of light and power source options.



L 4035 163 3

LG3050 163 8

NEW!
LH2080 143

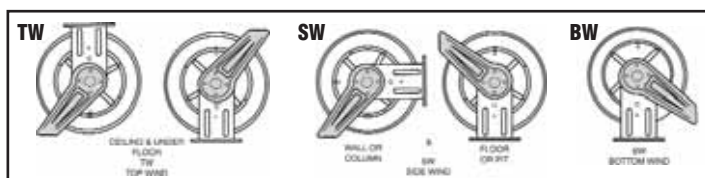
NEW!

Guide Arm Positions and Suffix Codes

Guide Arm Suffix Codes:

The suffix codes (as indicated at right) must be added after the model number to specify desired guide arm position. For example, 5635 OLP SW designates side wind guide arm position.

Additional Notes: D 9000 O series reels are shipped in the **BW** position and all other series reels are shipped in the **TW** position unless otherwise specified. Series 4000 and 5000 reels ordered in the **BW** position are available in constant tension only. The 80000 Series is shipped in the **SW** position.



Suffix Codes

- TW Top Wind**
Ceiling and under floor
- SW Side Wind**
Wall or column; floor or pit
- BW Bottom Wind**

North America: **800-444-3134** China: **(519) 8512 2391**
Europe: **+44 (0) 1536 406999** Pacific Rim: **+63 (45) 625-6624**
Latin America: **001-260-489-1685**

reelcraft.com

Reelcraft Industries is
ISO 9001:2000
Certified Since 1996

Models listed with an icon can be shipped same day upon request when the order is received by 11:30 AM local time for quantities of 5 or fewer.

- Indiana Warehouse
- Indiana & California Warehouses
- California Warehouse
- Canadian Warehouse

Table of Contents



Complete family of welding reels

Dual hose reels

Series TW, STW and BA

1/4", 3/8" I.D.

For low pressure oxygen/acetylene applications. Includes "T" grade reels for a variety of gases.

40



Series STW

42



Series WC7000

42



Series CEA30000

43



Safe-T-Reel Series

Spring driven welding cable

Series WC7000, WC80000

Stores work lead or electrode lead cable when not in use.

Hand crank welding cable

Series CEA 30000

Stores work lead or electrode lead cable when not in use.

Multiple spools Safe-T-Reel Series

Ideal where space, weight and flexibility are key for manual winding of hose, cord, oxygen/ acetylene and welding cable.

Tool balancers

Series TB

Makes tools nearly weightless. Reduces operator fatigue and damage from dropping tools.

44



Series TB



Low pressure air/water hose

Parts/accessories 45-48

Mounting brackets, chain shrouds, roller brackets, motors, switches, hose bumpers, hose assemblies and replacement hoses.

Display stands

Three reel tabletop display S602155

Four reel tabletop display S602155-1

Six reel display S602037-2

Eight reel display S602037-1

Eight reel centerpiece display *S600539
Conveniently displays up to eight reels and features removable universal brackets for ease of mounting. It is easily assembled/disassembled. Reels sold separately.

*Any four Series 4000 or 5000 can be installed on the top. Any four Series RT, 5005 or 7000 can be installed on the bottom. Series RT and 5005 require either 600626 or 600230 additional mounting brackets.

Eight reel display stand



Custom Built Reels

Reelcraft's engineered products group custom builds reels to your specifications. Our special engineered products are developed for demanding applications in areas such as marine, military, aviation, hydroseeding, sewer and well cleaning, offshore oil rigs, robotic cable and much more. We offer flexibility, competitive pricing and a lasting commitment to excellence. For more than 20 years, Reelcraft's engineered products group has produced custom products to meet individualized requirements.

Reelcraft's Capabilities

Very few size and weight constraints

We build to meet any extreme size and weight constraints.

Special finishes/paint options

Options include galvanized, CARC paint, marine grade epoxy, liquid enamel coat paint and powder coat paint in any color.

Various drive types

Manual crank, motorized, spring drive, hand-over-hand and more.

Wide range of pressures

A wide variety of pressure ranges available

Custom Reels

Built to your specs



from 50 to 15,000 PSI and beyond.

Unique options - Hose Boss™ rewind assist, tensioning bars, multiple fluid paths, level rewinds and much more.

No minimum quantities

Order from 1 to as many as you need.



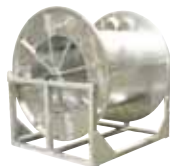
Marine grade epoxy



Aviation



Fuel delivery



Galvanized finish



Hydroseed



Fiber optic cable



Sewer/jetter



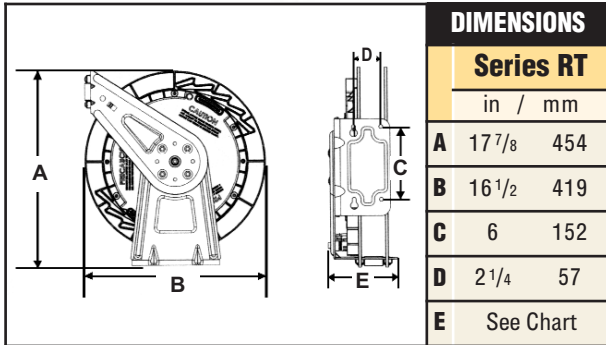


RT650-OLP
Patent No. 7,150,425

Made in USA

Medium Duty Spring Retractable Reels Air/Water/Oil/Grease - 1/4", 3/8", 1/2" I.D.

Series RT is an economical choice for a medium duty, lighter weight, spring-driven hose reel for applications that are less demanding, yet require a product that can withstand industrial and commercial use. The industrial-grade drive spring is protected from the environment in a polypropylene spool for longer service life. Guide arm adjusts to seven positions.



NEW!

Nitrogen Reels

RT650-OLPG-GN20



NEW!

Side-Mount Reels

RT650-OLPSM

MODELS WITH HOSE				HOSE CAPACITY				MODELS WITHOUT HOSE				
MODEL	WEIGHT	PRESSURE	I.D.	O.D.	(M)NPTF OUTLET	(F)NPTF INLET	LENGTH	MODEL	WEIGHT	PRESSURE	E	
	lbs / kg	psi / bar							in / mm	in / mm		in
LOW PRESSURE AIR/WATER REELS Maximum Temperature 150° F (65° C)												
RT425-OLP	21 10	300 21	1/4 6	.500 13	1/4	3/8	25 8	RT402-OLP	19 9	300 21	5 1/2 140	
RT435-OLP	22 10	300 21	1/4 6	.500 13	1/4	3/8	35 11	RT403-OLP	19 9	300 21	5 1/2 140	
RT450-OLP	25 11	300 21	1/4 6	.500 13	1/4	3/8	50 15	RT405-OLP	21 10	300 21	5 1/2 140	
RT465-OLP	27 12	300 21	1/4 6	.500 13	1/4	3/8	65 20	-----	--- ---	--- ---	--- ---	
RT625-OLP	22 10	300 21	3/8 10	.640 16	1/4	3/8	25 8	RT602-OLP	19 9	300 21	5 1/2 140	
RT635-OLP	23 10	300 21	3/8 10	.640 16	1/4	3/8	35 11	RT603-OLP	19 9	300 21	5 1/2 140	
RT650-OLP	29 13	300 21	3/8 10	.640 16	1/4	1/2	50 15	RT605-OLP CA	23 10	300 21	6 1/4 159	
RT825-OLP CA	28 13	300 21	1/2 13	.781 20	1/2	1/2	25 8	RT802-OLP	23 10	300 21	6 1/4 159	
RT835-OLP	30 14	300 21	1/2 13	.781 20	1/2	1/2	35 11	RT803-OLP CA	23 10	300 21	6 1/4 159	
RT850-OLP	35 16	300 21	1/2 13	.781 20	1/2	1/2	50 15	RT805-OLP	25 11	300 21	7 3/4 197	
MEDIUM PRESSURE OIL REELS Maximum Temperature 150° F (65° C)												
RT625-OMP	27 12	1000 69	3/8 10	.640 16	3/8	3/8	25 8	RT602-OMP	22 10	1000 69	5 1/2 140	
RT635-OMP	30 14	1000 69	3/8 10	.640 16	3/8	3/8	35 11	RT603-OMP	22 10	1000 69	5 1/2 140	
RT650-OMP	35 16	1000 69	3/8 10	.640 16	3/8	1/2	50 15	RT605-OMP	25 11	1000 69	7 3/4 197	
RT825-OMP	31 14	1000 69	1/2 13	.820 21	1/2	3/8	25 8	RT802-OMP	23 10	1000 69	6 1/4 159	
RT835-OMP CA	33 15	1000 69	1/2 13	.820 21	1/2	1/2	35 11	RT803-OMP	23 10	1000 69	6 1/4 159	
HIGH PRESSURE GREASE REELS Maximum Temperature 150° F (65° C)												
RT425-OHP	28 13	5000 345	1/4 6	.590 15	1/4	3/8	25 8	RT402-OHP	22 10	5000 345	5 1/2 140	
RT435-OHP	31 14	5000 345	1/4 6	.590 15	1/4	3/8	35 11	RT403-OHP	22 10	5000 345	5 1/2 140	
RT625-OHP	30 14	4000 276	3/8 10	.750 19	3/8	3/8	25 8	RT602-OHP	22 10	5000 345	5 1/2 140	
RT635-OHP	34 15	4000 276	3/8 10	.750 19	3/8	1/2	35 11	RT603-OHP	23 10	5000 345	6 1/4 159	
RT650-OHP	39 18	4000 276	3/8 10	.750 19	3/8	1/2	50 15	RT605-OHP	25 11	5000 345	7 3/4 197	

Low pressure hose reels furnished standard with PVC hose. Medium pressure reels furnished standard with S.A.E. 100 R1T one wire braid hose. High pressure reels furnished standard with S.A.E. 100 R2T two wire braid hose, suitable for grease applications only.



Series 4000

Compact, Versatile Series 4000, 5000 and 5005

Premium Duty Spring Retractable Reels Air/Water/Oil/Grease - 1/4", 3/8", 1/2" I.D.

Series 4000, 5000 and 5005 reels are all-steel construction and compact for a wide range of applications with critical space requirements. A full flow shaft and swivel assures maximum product delivery. Guide arm adjusts to two positions.



4625 OLP

5635 OLP

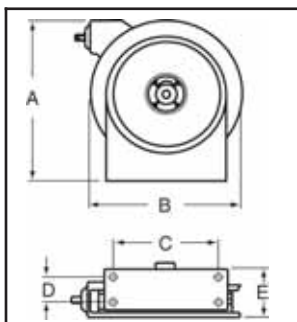
A5850 OLP



5435 ELP

Enclosed Models: Series 5000 E reels are the same as 5000 O reels except E Series reels are fully enclosed. To order, change the model number suffix letter O to E, Example: 5430 OHP becomes 5430 EHP. Add 8 lbs. to open reel weight. Enclosed version is not available for Series 5005 reels.

Made in USA



Four 5/16" (8mm) diameter mounting holes.

	DIMENSIONS							
	4000 O		5000 O		5405, 5605 and A5805		A5806	
	in / mm	in / mm	in / mm	in / mm	in / mm	in / mm	in / mm	
A	13 1/4	337	14 1/2	368	17 1/2	445	17 1/2	445
B	12 5/8	321	13 1/2	343	16 1/2	419	16 1/2	419
C	8	203	9 3/4	248	9 3/4	248	9 3/4	248
D	2 1/2	64	2 1/2	64	2 1/2	64	2 1/2	64
E	5 3/8	137	6	152	6	152	7	178

MODELS WITH HOSE				HOSE CAPACITY				MODELS WITHOUT HOSE			
MODEL	WEIGHT	PRESSURE	I.D.	O.D.	(M)NPTF OUTLET	(F)NPTF INLET	LENGTH	MODEL	WEIGHT	PRESSURE	
	lbs / kg	psi / bar	in / mm	in / mm	in	in	ft / m		lbs / kg	psi / bar	
LOW PRESSURE AIR/WATER REELS Maximum Temperature 150° F (65° C)											
4420 OLP	17 8	300 21	1/4 6	.500 13	1/4	3/8	20 6	4400 OLP	17 8	500 35	
4425 OLP	19 9	300 21	1/4 6	.500 13	1/4	3/8	25 8	4400 OLP	17 8	500 35	
4435 OLP	20 9	300 21	1/4 6	.500 13	1/4	3/8	35 11	4400 OLP	17 8	500 35	
5450 OLP	26 12	300 21	1/4 6	.500 13	1/4	3/8	50 15	5400 OLP	20 9	500 35	
4617 OLP	19 9	300 21	3/8 10	.640 16	1/4	3/8	17 5	4600 OLP	17 8	500 35	
4625 OLP	22 10	300 21	3/8 10	.640 16	1/4	3/8	25 8	4600 OLP	17 8	500 35	
5635 OLP	25 11	300 21	3/8 10	.640 16	1/4	3/8	35 11	5600 OLP	21 10	500 35	
5650 OLP	36 16	300 21	3/8 10	.640 16	1/4	3/8	50 15	5605 OLP	31 14	500 35	
A5825 OLP	29 13	300 21	1/2 13	.781 20	1/2	3/8	25 8	A5800 OLP	22 10	500 35	
A5835 OLP	38 17	300 21	1/2 13	.781 20	1/2	3/8	35 11	A5805 OLP	32 15	500 35	
A5850 OLP	44 20	300 21	1/2 13	.781 20	1/2	3/8	50 15	A5806 OLP	35 16	500 35	
MEDIUM PRESSURE OIL REELS Maximum Temperature 210° F (99° C)											
5435 OMP	31 14	2750 190	1/4 6	.530 13	1/4	3/8	35 11	5400 OMP	26 12	3000 207	
5630 OMP	30 14	2250 155	3/8 10	.780 20	3/8	3/8	30 9	5600 OMP	23 10	3000 207	
A5825 OMP*	31 14	2000 138	1/2 13	.820 21	1/2	3/8	25 8	A5800 OMP	32 15	3000 207	
A5835 OMP	42 19	2000 138	1/2 13	.820 21	1/2	3/8	35 11	A5805 OMP	32 15	3000 207	
HIGH PRESSURE GREASE REELS Maximum Temperature 210° F (99° C)											
5430 OHP	30 14	5000 345	1/4 6	.590 15	1/4	1/4	30 9	5400 OHP	23 10	5000 345	
5435 OHP	42 19	5000 345	1/4 6	.590 15	1/4	1/4	35 11	5405 OHP	31 14	5000 345	
5625 OHP	31 14	4000 276	3/8 10	.750 19	1/4	1/4	25 8	5600 OHP	26 12	5000 345	

Low pressure hose reels furnished standard with PVC hose. Compressed air hoses should not be converted to oxygen service - may cause explosion when O₂ mixes with fuel. Medium pressure reels furnished standard with S.A.E. 100 R1T one wire braid hose. *Floor tank mount only - do not mount on ceiling. High pressure reels furnished standard with S.A.E. 100 R2T two wire braid hose, suitable for grease applications only. See page 45 for optional mounting bases and brackets. See page 47 for inlet hose assemblies and adjustable bumper stops.

North America: 800-444-3134 China: (519) 8512 2391
 Europe: +44 (0) 1536 406999 Pacific Rim: +63 (45) 625-6624
 reelcraft.com Latin America: 001-260-489-1685





Fry's Napa AutoCare Center, Columbia City, IN



7850 OLP

Heavy Duty Spring Retractable Reels Air/Water/Oil/Grease - 1/4", 3/8", 1/2", 3/4" I.D.

Series 7000 is very robust and ideal for the most demanding applications. The reel's base and guide arm are formed from high-grade steel and engineered with structural forms and gussets to yield the greatest amount of strength. The standard low pressure hose is for air or water service only. The basic reel without hose can be used for air, water or oil. Consult Reelcraft for other products and hoses. Guide arm adjusts to 3 positions.

Made in USA



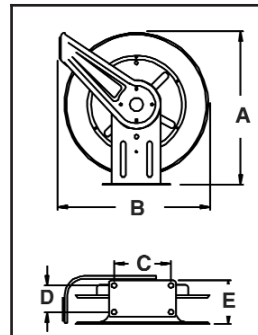
INSET:
ENCLOSED MODEL

7650 ELP

APPLICATIONS

- Industrial
- Automotive Service Centers
- Transmission Shops
- Fleet Maintenance Facilities
- Pneumatic Tools
- Aircraft Maintenance
- Tire Stores
- Agriculture
- Farm and Ranch
- Service Trucks
- Wash Down
- Air and Water

Series 7000 E reels are the same as 7000 O reels except **E Series reels are fully enclosed**. To order, change the model number suffix letter O to E. Example, 7650 OHP becomes 7650 EHP. Add 17 lbs. to open reel weight.



DIMENSIONS

	7000 O		7000 E	
	in	mm	in	mm
A	20 1/4	514	20 3/4	527
B	19	483	20 3/4	527
C	7 13/16	198	7 13/16	198
D	3 7/8	98	3 7/8	98
E	5 3/4	146	6 3/4	171

Four 1/2" (12.7mm) diameter mounting holes.

For all metric thread connections over 1/2" add the suffix number 70 to indicate BSPT threads - example 7900 OLP70.

MODELS WITH HOSE				HOSE CAPACITY					MODELS WITHOUT HOSE		
MODEL	WEIGHT	PRESSURE	I.D.	O.D.	(M)NPTF OUTLET	(F)NPTF INLET	LENGTH	MODEL	WEIGHT	PRESSURE	
	lbs / kg	psi / bar	in / mm	in / mm	in	in	ft / m		lbs / kg	psi / bar	
LOW PRESSURE AIR /WATER REELS Maximum Temperature 150° F (65° C)											
7650 OLP	47 21	300 21	3/8 10	.688 17	1/4	1/2	50 15	7600 OLP	42 19	500 35	
7670 OLP	50 23	300 21	3/8 10	.688 17	1/4	1/2	70 22	7600 OLP	42 19	500 35	
7850 OLP	51 23	300 21	1/2 13	.844 22	3/8	1/2	50 15	7800 OLP	43 20	500 35	
7850 OLP121	51 23	300 21	1/2 13	.844 22	1/2	1/2	50 15	7800 OLP	43 20	500 35	
7925 OLP	49 22	250 17	3/4 19	1.188 30	3/4	3/4	25 8	7900 OLP	44 20	500 35	
F7925 OLP*	53 24	50 3	3/4 19	1.188 30	3/4	3/4	25 8	F7900 OLP	45 20	500 35	
MEDIUM PRESSURE OIL REELS Maximum Temperature 210° F (99° C)											
7650 OMP	55 25	2250 155	3/8 10	.690 18	1/2	1/2	50 15	7600 OMP	45 20	3000 207	
7850 OMP	57 26	2000 138	1/2 13	.815 21	1/2	1/2	50 15	7800 OMP	42 19	3000 207	
HIGH PRESSURE GREASE REELS Maximum Temperature 210° F (99° C)											
7450 OHP	57 26	5000 345	1/4 6	.590 17	1/4	1/2	50 15	7400 OHP	43 20	5000 345	
7650 OHP	60 27	4000 276	3/8 10	.750 19	1/4	1/2	50 15	7600 OHP	46 21	5000 345	

Low pressure reels furnished standard with PVC hose. Medium pressure reels furnished standard with S.A.E. 100 R1T one wire braid hose. High pressure reels furnished standard with S.A.E. 100 R2T Two wire braid hose, suitable for grease applications only. For hydraulic or other applications please consult manufacturer. *Series F7925 OLP supplied with fuel grade hose and UL330 and UCL approved hose with a 250 psi (17 bar) minimum burst.

See page 47 for inlet hose assemblies and adjustable bumper stops. See page 45 for optional mounting bases and brackets.

North America: **800-444-3134** China: **(519) 8512 2391**
 Europe: **+44 (0) 1536 406999** Pacific Rim: **+63 (45) 625-6624**
 Latin America: **001-260-489-1685**
reelcraft.com

Reelcraft Industries is
ISO 9001:2000
 Certified Since 1996

Models listed with an icon can be shipped same day upon request when the order is received by 11:30 AM local time for quantities of 5 or fewer.

Indiana Warehouse
 California Warehouse
 Indiana & California Warehouses
 Canadian Warehouse

Series DP7000

Compact Dual Pedestal Series DP5000 and DP7000

Heavy Duty Spring Retractable Reels Air/Water/Oil/Grease - 1/4", 3/8", 1/2" I.D.

Reelcraft's new compact dual pedestal Series DP7000 and DP5000 features an innovative, non-welded, interlocking base. Independent testing to military standards has proven these reels stand up to heavy vibration and won't vibrate apart, which makes them especially strong and ideal for truck-mounted applications. Superbly engineered dual pedestal base and guide arm are structurally reinforced. All-steel construction and a baked-on powder coat finish combine to produce a rugged corrosion-resistant product suitable for a wide variety of heavy duty applications.

✓ **Superior corrosion-resistance**

A double adhesive gasket seals the spring case and steel parts are powder coated to provide excellent protection against weathering.

✓ **Ease of operation** The latch pawl is mounted on the guide arm to prevent latch out at full extension and the high impact, nylon-filled guide rollers make retraction and pay out nearly effortless.

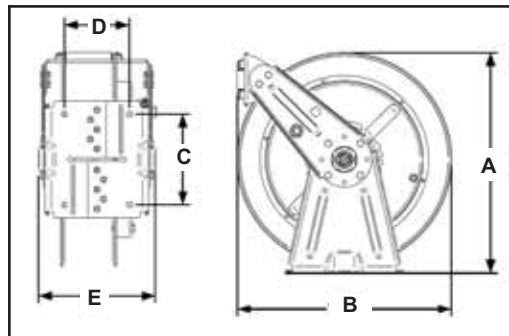
NEW!



DP7850 OLP
Patent Pending

Made in USA

✓ **Meets or exceeds military vibration for Truck Transport test**
MIL-STD-810F
500,000 mile equivalent



DIMENSIONS										
	DP5435 DP5635 OLP		DP5635 OHP		DP7450 DP7650		DP5450 DP5650 DP5835		DP7850	
	in / mm		in / mm		in / mm		in / mm		in / mm	
A	16 3/8	416	16 3/8	416	17	432	16 3/8	416	17	432
B	14 3/8	365	14 3/8	365	16 1/2	419	14 3/8	365	16 1/2	419
C	7	178	7	178	7	178	7	178	7	178
D	4	102	5	127	4	102	5	127	5	127
E	8	203	9	229	8	203	9	229	9	229

MODELS WITH HOSE			HOSE CAPACITY					MODELS WITHOUT HOSE		
MODEL	WEIGHT	PRESSURE	I.D.	O.D.	(M)NPTF OUTLET	(F)NPTF INLET	LENGTH	MODEL	WEIGHT	PRESSURE
	lbs / kg	psi / bar	in / mm	in / mm	in	in	ft / m		lbs / kg	psi / bar
LOW PRESSURE AIR/WATER REELS Maximum Temperature 150° F (65° C) w/hose / 210° F (99° C) w/o hose										
DP5435 OLP	32 15	300 21	1/4 6	.500 13	1/4	1/2	35 11	DP5400 OLP	29 13	500 35
DP5450 OLP	35 16	300 21	1/4 6	.500 13	1/4	1/2	50 15	DP5400 OLP	29 13	500 35
DP7450 OLP	46 21	300 21	1/4 6	.500 13	1/4	1/2	50 15	DP7400 OLP	42 19	500 35
DP5635 OLP	34 15	300 21	3/8 10	.688 17	1/4	1/2	35 11	DP5600 OLP	29 13	500 35
DP5650 OLP	36 16	300 21	3/8 10	.688 17	1/4	1/2	50 15	DP5600 OLP	29 13	500 35
DP7650 OLP	47 21	300 21	3/8 10	.688 18	1/4	1/2	50 15	DP7600 OLP	42 19	500 35
DP5835 OLP	40 18	300 21	1/2 13	.844 21	3/8	1/2	35 11	DP5800 OLP	32 15	500 35
DP7850 OLP	50 23	300 21	1/2 13	.844 21	3/8	1/2	50 15	DP7800 OLP	43 20	500 35
MEDIUM PRESSURE OIL REELS Maximum Temperature 210° F (99° C)										
DP7650 OMP	55 25	2250 155	3/8 10	.690 18	3/8	1/2	50 15	DP7600 OMP	45 21	3000 207
DP5835 OMP	43 20	2000 138	1/2 13	.815 21	1/2	1/2	35 11	DP5800 OMP	33 15	3000 207
DP7850 OMP	57 26	2000 138	1/2 13	.815 21	1/2	1/2	50 15	DP7800 OMP	42 19	3000 207
HIGH PRESSURE GREASE REELS Maximum Temperature 210° F (99° C)										
DP7450 OHP	57 26	5000 345	1/4 6	.590 15	1/4	1/2	50 15	DP7400 OHP	43 20	5000 345
DP5635 OHP	43 20	4000 276	3/8 10	.750 19	1/4	1/2	35 11	DP5600 OHP	33 15	5000 345
DP7650 OHP	60 27	4000 276	3/8 10	.750 19	1/4	1/2	50 15	DP7600 OHP	46 21	5000 345
Low pressure reels furnished standard with PVC hose. Medium pressure reels furnished standard with S.A.E. 100 R1T one wire braid hose. High pressure reels furnished standard with S.A.E. 100 R2T Two wire braid hose, suitable for grease applications only.										

North America: **800-444-3134** China: **(519) 8512 2391**
 Europe: **+44 (0) 1536 406999** Pacific Rim: **+63 (45) 625-6624**
reelcraft.com Latin America: **001-260-489-1685**



Ultimate Duty Spring Retractable Reels Air/Water/Oil/Grease - 1/4", 3/8", 1/2" I.D.

The ultra duty aluminum cast base and arm of the Series D8000 and E8000 offers the highest rigidity among this class of hose reels. Guide arms are field-adjustable for floor, wall, ceiling, pit and truck mounting. The durable baked-on, powder-coat finish provides a high quality ultra-violet radiation (sunlight) weather and chip-resistant finish.

For additional models, visit www.reelcraft.com



Series D8000 E reels are the same as D8000 O reels except **E Series reels are fully enclosed**. To order, change the model number suffix letter O to E. Example, D8650 OHP becomes D8650 EHP. Add 17 pounds to open reel weight.

Made in USA

DIMENSIONS	D/E8000 O		D/E8000 E	
	in / mm		in / mm	
	A	21 1/8	537	21 9/16
B	19	483	20 7/8	530
C	7 7/8	200	7 7/8	200
D	3 3/4	95	3 3/4	95
E	9 1/4	235	10 1/2	267

Inlet is 1/2" Outlet is 1/2" Four 1/2" (12.7mm) diameter mounting holes.

FEATURES

- ✓ Aluminum guide arm and base are cast from 40,000 P.S.I. tensile strength material with 7% elongation which assures ultimate shock resistance. Cast aluminum frame gives maximum strength with minimum payload weight.
- ✓ A special heavy, double adhesive sided spring case gasket protects the main spring from damage (failure) caused by water, dirt or other foreign matter entering the spring case.
- ✓ Guide arm is field adjustable for floor, wall, ceiling, pit and truck mounting.
- ✓ Full flow shaft and swivel.
- ✓ Reel springs are manufactured from the highest quality scale-less blue tempered steel.
- ✓ Individually coated components with a durable baked-on powder coat finish provides excellent high quality ultra violet radiation (sunlight) weather and chip-resistant finish.

MODELS WITH HOSE				HOSE CAPACITY					MODELS WITHOUT HOSE		
MODEL	WEIGHT	PRESSURE	I.D.	O.D.	(M)NPTF OUTLET	(F)NPTF INLET	LENGTH	MODEL	WEIGHT	PRESSURE	
	lbs / kg	psi / bar							in / mm	in / mm	in
LOW PRESSURE AIR/WATER REELS Maximum Temperature 150° F (65° C) w/hose / 210° F (99° C) w/o hose											
D8650 OLP	48 22	300 21	3/8 10	.688 17	1/4	1/2	50 15	D8600 OLP	40 18	500 35	
D8670 OLP	52 24	300 21	3/8 10	.688 17	1/4	1/2	70 21	D8600 OLP	40 18	500 35	
D8850 OLP	52 24	300 21	1/2 13	.844 21	3/8	1/2	50 15	D8800 OLP	41 19	500 35	
E8850 OLP*	69 31	300 21	1/2 13	.844 21	3/8	1/2	50 15	E8800 OLP	58 26	500 35	
MEDIUM PRESSURE OIL REELS Maximum Temperature 210° F (99° C)											
D8650 OMP	53 24	2250 155	3/8 10	.690 18	1/2	1/2	50 15	D8600 OMP	41 19	3000 207	
D8840 OMP	53 24	2000 138	1/2 13	.815 21	1/2	1/2	40 12	D8800 OMP	41 19	3000 207	
D8850 OMP	56 25	2000 138	1/2 13	.815 21	1/2	1/2	50 15	D8800 OMP	41 19	3000 207	
E8850 OMP*	73 33	2000 138	1/2 13	.815 21	1/2	1/2	50 15	E8800 OMP	58 26	3000 207	
HIGH PRESSURE GREASE REELS Maximum Temperature 210° F (99° C)											
D8450 OHP	54 24	5000 345	1/4 6	.593 15	1/4	1/2	50 15	D8400 OHP	41 19	5000 345	
D8650 OHP	60 27	4000 276	3/8 10	.750 19	1/4	1/2	50 15	D8600 OHP	41 19	5000 345	
E8650 OHP*	74 34	4000 276	3/8 10	.750 19	1/4	1/2	50 15	E8600 OHP	58 26	5000 345	

*Series E8000 models are for lubrication trucks. Low pressure reels furnished standard with PVC hose. Medium pressure reels are furnished standard with S.A.E. 100 R1T one wire braid hose. High pressure reels furnished standard with SAE 100R2T two wire braid hose, suitable for grease applications only.

North America: **800-444-3134** China: **(519) 8512 2391**
 Europe: **+44 (0) 1536 406999** Pacific Rim: **+63 (45) 625-6624**
 Latin America: **001-260-489-1685**
reelcraft.com

Reelcraft Industries is
ISO 9001:2000
 Certified Since 1996

Models listed with an icon can be shipped same day upon request when the order is received by 11:30 AM local time for quantities of 5 or fewer.

Indiana Warehouse
 California Warehouse
 Indiana & California Warehouses
 Canadian Warehouse



Series 80000

Dual Pedestal Reels

Series 80000 and D80000

Heavy Duty Spring Retractable Reels

Air/Water/Oil/Grease - 3/8", 1/2", 3/4", 1" I.D.

Reelcraft's Series 80000 and D80000 spring retractable reels incorporate the most current design and manufacturing techniques to guarantee long life and trouble-free performance. All-steel construction and a baked-on powder coat finish combine to produce a rugged, corrosion-resistant product suitable for a wide variety of heavy duty applications. Series D80000 reels are also supplied with Reelcraft's new ball-bearing style swivel.

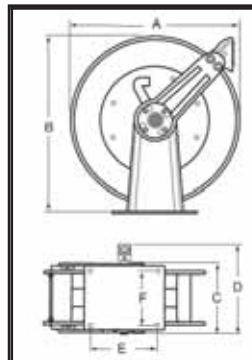


82100 OLP

FEATURES

- ✓ Hose anti latch-out feature ensures hose retracts every time.
- ✓ Guide arm is field adjustable for wall, ceiling, or truck mounting positions.
- ✓ Dual pedestal base and guide arm design are structurally reinforced.
- ✓ Five-in-one, heat-treated aluminium casting incorporates main shaft, ratchet, spring arbor and inlet/outlet plumbing in one-piece casting.
- ✓ Containerized spring assembly provides safer and easier handling during maintenance.
- ✓ Two sealed ball bearings for smooth rotation of main shaft.

Made in USA



DIMENSIONS					
	D80000		80000		
	hose	in / mm	in / mm	in / mm	
A	24	610	24	610	
B	25 3/8	645	25 3/8	645	
C	8 5/16	211	8 3/8	213	
D	3/4"	14 1/4	362	10 1/8	257
	1"	15 1/4	387	10 3/4	273
E	10 1/2	267	10	254	
F	7 7/8	200	6	152	

Inlet is 1/2" or 3/4" NPTF (F) or 3/4" BSPT. Reel outlet is 1/2" or 3/4" NPTF (F) or 3/4" BSPT. Four 1/2" (12.7mm) diameter mounting holes

MODELS WITH HOSE			HOSE CAPACITY						MODELS WITHOUT HOSE		
MODEL	WEIGHT	PRESSURE	I.D.	O.D.	(M)NPTF OUTLET	(F)NPTF INLET	LENGTH	MODEL	WEIGHT	PRESSURE	
	lbs / kg	psi / bar							in / mm	in / mm	in
LOW PRESSURE AIR/WATER REELS Maximum Temperature 150° F (65° C) w/hose / 210° F (99° C) w/o hose											
81100 OLP	92 42	300 21	3/8 10	.688 17	3/8	1/2	100 30	81000 OLP	77 35	500 35	
82075 OLP	95 43	300 21	1/2 13	.845 21	1/2	1/2	75 23	82000 OLP	82 37	500 35	
82100 OLP	101 46	300 21	1/2 13	.845 21	1/2	1/2	100 30	82000 OLP	82 37	500 35	
83050 OLP	88 40	250 17	3/4 19	1.188 30	3/4	3/4	50 15	83000 OLP	74 34	500 35	
+F83050 OLP*	89 41	50 3	3/4 19	1.188 30	3/4	3/4	50 15	F83000 OLP	74 34	500 35	
D83075 OLP	112 51	250 17	3/4 19	1.188 30	3/4	3/4	75 23	D83000 OLP	89 40	500 35	
D84050 OLP	110 50	250 17	1 25	1.500 38	3/4	1	50 15	D84000 OLP	77 35	500 35	
MEDIUM PRESSURE OIL REELS Maximum Temperature 210° F (99° C)											
82075 OMP	101 45	2000 138	1/2 13	.815 21	1/2	1/2	75 23	82000 OMP	79 36	2000 138	
83050 OMP	96 43	1250 86	3/4 19	1.188 30	3/4	3/4	50 15	83000 OMP	77 35	1500 104	
HIGH PRESSURE GREASE REELS Maximum Temperature 210° F (99° C)											
81075 OHP	88 49	4000 276	3/8 10	.640 16	3/4	1/2	75 23	81000 OHP	92 42	5000 345	
81100 OHP	127 58	4000 276	3/8 10	.640 16	3/8	1/2	100 30	81000 OHP	92 42	5000 345	

+UL330 and ULC approved hose. 250 psi minimum burst. (17 Bar) / For all metric thread connections over 1/2" add the suffix number -70 to indicate BSPT threads - example 83050-OLP70. Low pressure reels furnished standard with PVC hose. Medium pressure reels are furnished standard with S.A.E. 100 R1T one wire braid hose. Modification - Reels without hose can be modified to handle gasoline and diesel fuel, to order place prefix "F" before model number (F83000 OLP). *Model F83050 OLP equipped with fuel grade hose. High pressure reels furnished standard with SAE 100R2T two wire braid hose, suitable for grease applications, only. See page 45 for optional mounting bases and brackets.

North America: **800-444-3134** China: **(519) 8512 2391**
 Europe: **+44 (0) 1536 406999** Pacific Rim: **+63 (45) 625-6624**
 Latin America: **001-260-489-1685**
reelcraft.com





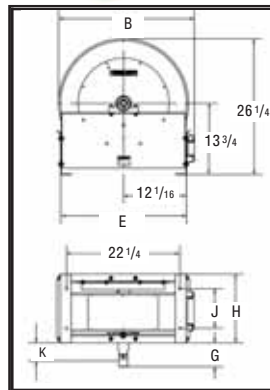
E9350 OLPBW

Made in USA

Hose Guide Roller Position



A suffix code (see diagram) must be added after the model # to specify desired position. Reels are shipped in the BW position unless specified otherwise. FF 95/9600 in BW only.



DIMENSIONS

	E9000	FE9000	FF9000	D9000	D9399 D9305
	in / mm	in / mm	in / mm	in / mm	in / mm
B	26 1/4 667	26 1/4 667	26 1/4 667	26 1/8 664	26 1/8 664
E	24 1/8 613	24 1/8 613	24 1/8 613	24 1/8 613	24 1/4 616
G	2 51	6 1/8 156	3 15/16 100	4 7/16 113	4 9/16 116
H	12 305	17 11/16 449	17 11/16 449	12 305	13 5/16 338
J	7 3/4 197	13 7/16 341	13 7/16 341	7 3/4 197	7 3/4 197
K	1 1/4 32	3 3/4 95	2 3/4 70	4 102	4 102

Four 7/16" (11.2mm) diameter mounting holes.

Ultimate Duty Spring Retractable Reels Air/Water/Oil/Grease - 1/2", 3/4", 1", 1 1/4", 1 1/2" I.D.

Series E9000 mobile base reels offer the greatest amount of stability for high volume air, water, fuel and petroleum. Ideal for portable service trucks, permanent service or plant work areas. A durable baked-on powder coat finish produces a rugged corrosion resistant product suitable for a wide variety of heavy duty applications. Basic reels without hose will handle air, water or oil; consult Reelcraft for other applications.

For additional models, visit www.reelcraft.com

MODELS WITH HOSE

HOSE CAPACITY

MODELS WITHOUT HOSE

MODEL	WEIGHT lbs / kg	PRESSURE psi / bar	I.D. in / mm	O.D. in / mm	(M)NPTF OUTLET in	(F)NPTF INLET in	LENGTH ft / m	MODEL	WEIGHT lbs / kg	PRESSURE psi / bar
LOW PRESSURE AIR/WATER REELS Maximum Temperature 150° F (65° C)										
E9299 OLP	127 58	300 21	1/2 13	.844 21	1/2	1/2	100 30	E9200 OLP	115 52	500 35
E9350 OLP	140 64	250 17	3/4 19	1.188 30	3/4	3/4	50 15	E9300 OLP	115 52	500 35
FE9350 OLP*	140 64	50 3	3/4 19	1.188 30	3/4	3/4	50 15	FE9300 OLP	115 52	500 35
E9375 OLP	152 69	250 17	3/4 19	1.188 30	3/4	3/4	75 23	E9300 OLP	115 52	500 35
D9399 OLPBW	143 65	250 17	3/4 19	1.188 30	3/4	3/4	100 30	D9305 OLPBW	113 51	500 35
E9450 OLP	157 71	250 17	1 25	1.500 30	3/4	1	50 15	E9400 OLP	115 52	500 35
FE9450 OLP*	157 71	50 3	1 25	1.500 30	1	1	50 15	FE9400 OLP	115 52	500 35
NOT AVAILABLE WITH HOSE			1 1/4 32	1.750 44	1 1/4	1 1/2	50 15	FF9500 OLPBW	125 57	600 41
NOT AVAILABLE WITH HOSE			1 1/2 38	2.000 51	1 1/2	1 1/2	50 15	FF9600 OLPBW	125 57	600 41
MEDIUM PRESSURE OIL REELS Maximum Temperature 210° F (99° C)										
E9275 OMP	131 59	2000 138	1/2 13	.815 21	1/2	1/2	75 23	E9200 OMP	117 53	3000 207
E9350 OMP	142 64	1250 86	3/4 19	1.188 30	3/4	3/4	50 15	E9300 OMP	117 53	3000 207
HIGH PRESSURE GREASE REELS Maximum Temperature 210° F (99° C)										
E9175 OHP	153 69	4000 276	3/8 10	.750 19	1/2	3/8	75 23	E9100 OHP	118 54	5000 345

*Models equipped with fuel grade hose. UL330 and VLC approved hose. 250 PSI minimum burst (17 Bar) Low pressure reels furnished standard with PVC hose. Medium pressure reels are furnished standard with S.A.E. 100 R1T one wire braid hose. High pressure reels furnished standard with SAE 100R2T two wire braid hose suitable for grease applications only. For all metric thread connections over 1/2" add the suffix number 70 to indicate BSPT threads - example E9300 OLP70. FF9500 and FF9600 models will have BSPP threads. **Note: To specify our lighter duty model, change prefix from E to D. Not available on FE9500 or FE9600. Modification** - Reels without hose can be modified to handle gasoline and diesel fuel, to order place prefix "F" before model number - example (FF9300 OLP). See Page 47 for inlet hose assemblies and adjustable bumper stops.

NEW

Large Frame Reels

Nordic™ Series 3100 & 4800

Spring Driven Large Frame Reels

Nordic™ Series 3100 & 4800

1/2", 3/4" or 1 1/2" Fluid Path for 1/2" through 1 1/2" I.D. Hose

Inlet: 1/2" up to 1" female/male NPT 90° swivel joint.

Gooseneck: 1/2" up to 1" female/male NPT. **Series 3100** reels handle hose from 1/4" through 1" I.D. **Series 4830** reels handle hose from 1/2" through 1" I.D. Inlet is 1/2" up to 1" female/male NPT 90° swivel joint. Gooseneck is 1/2" up to 1" female/male NPT. **Series 4800** reels handle hose from 1" through 1 1/2" I.D. 2" straight victaulic is standard. 1 1/2" male or female NPT straight swivel joint may be specified at no extra cost. Gooseneck is 1" to 1 1/2" female/male NPT.

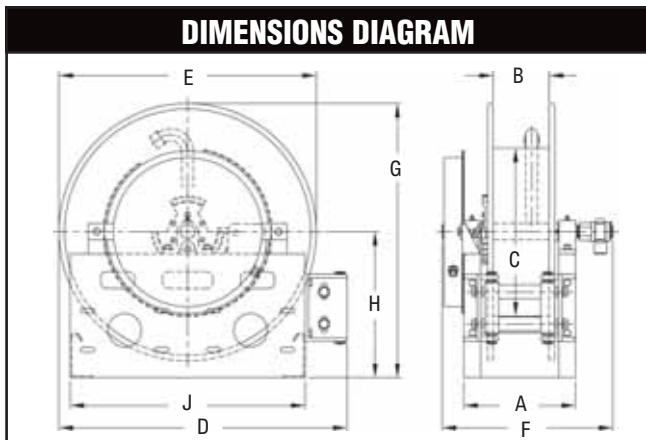
Roller position: You must specify roller position BW, SW or TW. If roller position is not specified, reels will be shipped with rollers in position BW. See page 12.

Hose stop: A hose stop should be used to prevent damage to rollers and nozzles and to permit adjustment of free hose length. See description on page 47. Hose stops are available at extra cost.

Twin hose models are available as standard.



Nordic Series 4800



Series 3100 / 4830 product temperatures from -60° to +174° F and standard pressures to 1000 p.s.i. **Series 4800** product temperatures from -80° to + 450°F at standard pressures to 300 p.s.i. Reels to operate at other temperatures or pressures can be furnished at extra cost. Consult manufacturer. The standard color for this series is red or gray.

Note: Other sizes and/or threads can be furnished for gooseneck when specified. Series 3101 reels use a stronger spring assembly for heavy duty applications.

Made in USA

HOSE I.D.		in	1/2	3/4	1	1 1/4	1 1/2	SPECIFICATIONS - HOSE CAPACITY AND REEL DIMENSIONS														
HOSE O.D.		mm	13	19	25	32	38	*20" (508mm) dia drum on Model#4830-31-10 for 1/2" and 3/4" hose														
		in	7/8	1 9/32	1 9/16	1 13/16	2 1/16	MODEL	HOSE LENGTH				Est. Weight	A	B	C	D	E	F	G	H	J
		mm	22	33	40	46	52		ft	m	ft	m	ft	m	ft	m	ft	m	ft	m	ft	m
3101-19-4	ft	30	25	15				90 LB	in	9	4	11 1/4	21	19	15 1/2	22 1/2	13	25				
	m	9	8	5				41 KG	mm	229	102	286	533	483	394	572	330	635				
3101-23-4	ft	60	40	25				93 LB	in	9	4	11 1/4	21	23	15 1/2	24 1/2	13	26				
	m	18	12	8				42 KG	mm	229	102	286	533	584	394	622	330	660				
3101-23-6	ft	100	65	60				95 LB	in	11	6	11 1/4	21	23	17 1/2	24 1/2	13	26				
	m	30	20	18				43 KG	mm	279	152	286	533	584	445	622	330	660				
3101-23-8	ft	100	65	60				97 LB	in	13	8	11 1/4	21	23	19 1/2	24 1/2	13	26				
	m	30	20	18				44 KG	mm	330	203	286	533	584	495	622	330	660				
4830-31-5X	ft	75	75	65				122 LB	in	10 1/2	5 1/2	15	30	31	17	33	17 1/2	34 1/2				
	m	23	23	20				55 KG	mm	267	140	381	762	787	432	838	445	876				
4830-31-8	ft	80	80	90				125 LB	in	13	8	15	30	31	19 1/2	33	17 1/2	34 1/2				
	m	24	24	27				57 KG	mm	330	203	381	762	787	495	838	445	876				
4830-31-10	ft	*90	*100	100				128 LB	in	15	10	*15	30	31	21 1/2	33	17 1/2	34 1/2				
	m	*27	*30	30				58 KG	mm	381	254	*381	762	787	546	838	445	876				
4800-31-6	ft			70	50	40		122 LB	in	11 1/4	6	11 1/4	30	31	17	33	17 1/2	34 1/2				
	m			21	15	12		55 KG	mm	286	152	286	762	787	432	838	445	876				
4800-31-8	ft			75	75	50		125 LB	in	13 1/4	8	11 1/4	30	31	19	33	17 1/2	34 1/2				
	m			23	23	15		57 KG	mm	337	203	286	762	787	483	838	445	876				

Refer to page 26 to build a complete model number.

North America: **800-444-3134** China: **(519) 8512 2391**
 Europe: **+44 (0) 1536 406999** Pacific Rim: **+63 (45) 625-6624**
reelcraft.com Latin America: **001-260-489-1685**





Twin Hose, Spring Retractable Reels Dual Hydraulic - 1/4", 3/8", 1/2" I.D.

Reelcraft's hydraulic reels are used for medium pressure dual hydraulic hose applications and are ideal for operating hydraulic cylinders, tools and equipment. High volume dual-body swivel for maximum product delivery (excluding the 80000). Series TH reels incorporate contemporary engineering and manufacturing techniques for trouble-free performance. Reels are all-steel construction and compact for applications with critical space requirements.

Made in USA

FEATURES

- ✓ Constant tension or pos-i-latch spool mechanism
- ✓ All-steel construction
- ✓ Reels have a durable, abrasion-resistant, baked-on powder coat finish spring motor
- ✓ Compact design for critical space requirements

	DIMENSIONS					
	TH5000 OMP		TH7000 OMP		TH80000 OMP	
	in / mm	in / mm	in / mm	in / mm	in / mm	in / mm
A	14 1/2	368	20 1/4	514	25 3/8	645
B	13 1/2	343	19	483	24	610
C	9 3/4	248	7 7/8	200	10	254
D	2 1/2	64	3 7/8	98	6	152
E	6	152	7	178	13	330

C and D dimensions are mounting hole patterns. Four 5/16" (8mm) diameter mounting holes for the 5000 O. Four 1/2" (12.7mm) diameter mounting holes for the 7000 O and 80000.

Questions? We can help!

Our friendly customer service team is ready to help you with expert assistance. When you call us, you get a live voice and fast, friendly service.

APPLICATIONS

- Cranes
- Construction Equipment
- Hydraulic Tools
- Vehicle Extraction Tools
- Aerial Device
- Hydraulic Cylinders
- Tree Cutters
- Digger Derricks
- Railroad Maintenance Tools

MODELS WITH HOSE				HOSE CAPACITY				MODELS WITHOUT HOSE		
MODEL	WEIGHT	PRESSURE	I.D.	O.D.	OUTLET	INLET	LENGTH	MODEL	WEIGHT	PRESSURE
	lbs / kg	psi / bar	in / mm	in / mm	in	in	ft / m		lbs / kg	psi / bar
MEDIUM PRESSURE HYDRAULIC HOSE REELS Maximum Temperature 210° F (99° C)										
TH5425 OMP	34 15	2000 138	1/4 6	.500 13	1/4 NPT(F)	1/4 NPT(F)	25 8	TH5400 OMP	24 11	3000 207
TH7445 OMP	67 30	2000 138	1/4 6	.500 13	1/4 NPT(F)	1/4 NPT(F)	45 14	TH7400 OMP	47 21	3000 207
THA7630 OMP	60 27	2000 138	3/8 10	.640 16	3/8 JIC(M)	3/8 NPT(F)	30 9	THA7600 OMP	47 21	3000 207
MEDIUM PRESSURE HOSE REELS Maximum Temperature 210° F (99° C)										
TH86050 OMP	99 45	2000 138	3/8 10	.640 16	3/8 NPT(F)	3/8 NPT(F)	50 15	TH86000 OMP	87 39	3000 207
TH88050 OMP	104 47	2000 138	1/2 13	.910 23	1/2 NPT(F)	1/2 NPT(F)	50 15	TH88000 OMP	87 39	3000 207

Adjustable hose bumpers listed on page 47. See page 45 for optional accessories, mounting brackets and bases.

North America: **800-444-3134** China: **(519) 8512 2391**
 Europe: **+44 (0) 1536 406999** Pacific Rim: **+63 (45) 625-6624**
reelcraft.com Latin America: **001-260-489-1685**

Reelcraft Industries is
ISO 9001:2000
 Certified Since 1996

Models listed with an icon can be shipped same day upon request when the order is received by 11:30 AM local time for quantities of 5 or fewer.

- Indiana Warehouse
- California Warehouse
- Indiana & California Warehouses
- Canadian Warehouse

Spring Retractable Fuel Reels

F7000 - 3/4" I.D.

FE9000, FD9000 - 3/4", 1" I.D.

FF9000 - 1 1/4", 1 1/2" I.D.

F80000, FD80000 - 3/4", 1" I.D.

Reelcraft's spring retractable fuel delivery reels, equipped with Viton® seals, incorporate metal forms to insure the greatest possible strength and are ideal for mobile and permanent-mount applications. These rugged, corrosion-resistant reels are suitable for a wide variety of fuel applications. Series FD80000 reels are also supplied with our new ball-bearing style swivel.



FD83075 OLP

MODELS WITH HOSE				HOSE CAPACITY				MODELS WITHOUT HOSE			
MODEL	WEIGHT	PRESSURE	I.D.	O.D.	(M)NPTF OUTLET	(F)NPTF INLET	LENGTH	MODEL	WEIGHT	PRESSURE	
	lbs / kg	psi / bar	in / mm	in / mm	in	in	ft / m		lbs / kg	psi / bar	
LOW PRESSURE FUEL REELS Maximum Temperature 150° F (65° C) w/hose / 210° F (99° C) w/o hose											
F7925 OLP*	53 24	*50 3	3/4 19	1.188 30	3/4	3/4	25 8	F7900 OLP	45 20	500 35	
F83050 OLP*	89 40	*50 3	3/4 19	1.188 30	3/4	3/4	50 15	F83000 OLP	74 34	500 35	
FD83075 OLP*	130 59	*50 3	3/4 19	1.188 30	3/4	3/4	75 23	FD83000 OLP	77 35	500 35	
FD84050 OLP*	120 54	*50 3	1 25	1.500 38	1	1	50 15	FD84000 OLP	78 35	500 35	
FE9350 OLP*	140 64	*50 3	3/4 19	1.188 30	3/4	3/4	50 15	FE9300 OLP	115 52	500 35	
FE9450 OLP*	157 71	*50 3	1 25	1.500 38	1	1	50 15	FE9400 OLP	115 52	500 35	
FD9350 OLP*	140 64	*50 3	3/4 19	1.188 30	3/4	3/4	50 15	FD9300 OLP	115 52	500 35	
FD9450 OLP*	157 71	*50 3	1 25	1.500 38	1	1	50 15	FD9400 OLP	115 52	500 35	
Models not available with hose			1 1/4 32	1.750 44	1 1/4	1 1/4	50 15	FF9500 OLPBW	125 57	600 41	
			1 1/2 38	2.000 51	1 1/2	1 1/2	50 15	FF9600 OLPBW	125 57	600 41	

* Models equipped with fuel grade hose. UL330 and ULC approved hose. 250 PSI minimum burst (17 Bar) For all metric thread connections 1" and under add the suffix number -70 to indicate BSPT threads - example FD80000-OLP70. For all metric threads above 1" add -70 for BSPP threads. FF Models supplied with 1 1/2" inlet. Reel inlet on all models in this chart is NPTF (F) and matches hose I.D. See page 45 for optional mounting bases and brackets. NOTE: For reel dimensions, please see page 8 for F7000, page 11 for F80000 and page 12 for FF9000. Flow rates of fuel hose are reduced by 30% with addition of internal spring type bend restrictors. For example, flow rate of F7925 OLP with internal bend restrictors is 9.0 GPM at 40 psi; flow without internal bend restrictors is 13.0 GPM at 40 psi.

Spring Retractable Grounding Reels

Series G 3000

Static discharge reels are used to ground equipment operating in hazardous atmospheres. When properly clamped to ground, the static discharge reel dissipates static electrical buildup, reducing the chances of sparking and the potential for explosion.

SPECIFICATIONS Includes cable installed on reel				
MODEL	CABLE EXTENDED	Y	CABLE NOTES	WEIGHT
	ft / m	ft / m		lbs / kg
G 3050	50 15	N/A	Single 7 x 7 stranded steel*	12 5
G 3050 Y	50 15	2 @ 15' (5)	35' (9.2m) plus dual 15' (4.6m) for 'Y' Total extension 50' (15m)	12 5
G 3050 N	50 15	N/A	Nylon covered cable**	12 5
GA3100 N	100 30	N/A	Hi-vis orange nylon covered cable**	22 10

*3/32" OD steel aircraft cable. DC resistance is approximately one ohm per 50 ft. of steel cable. **Nylon covered cable (1/8" O.D.). Dimensions: 8.62" x 3.35" x 8.81" (L x W x H). GA3100 N dimensions are 9.25" x 4.31" x 9 3/4" (L x W x H)



GA3100 N



G 3050 Y

G 3050



APPLICATIONS

- Restaurants
- Car Washes
- Laboratories
- Dairies
- Marinas
- Grocery Stores
- Photo Finishing
- Meat Packing Plants
- Chemical Plants
- Printing Industry
- Pharmaceutical
- Food Processing
- Ships

	DIMENSIONS									
	5000 O		7000 O		80000		D80000		HS18000 M	
	in / mm		in / mm		in / mm		in / mm		in / mm	
A	14 1/2	368	20 1/4	514	25 3/8	645	25 3/8	645	19	483
B	13 3/4	348	19	483	24	610	24 1/8	613	20	508
C	9 3/4	248	7 7/8	200	10	254	10 1/2	267	15	381
D	2 1/2	64	3 7/8	98	6	152	7 7/8	200	10	254
E	6	152	7	178	10 1/2	267	14 1/4	362	16 1/4	413
F	-----	-----	-----	-----	-----	-----	-----	-----	5 3/4	146

Series 5000 has four 5/16" (8mm) diameter mounting holes. Series 7000, 80000 and D80000 has four 1/2" (13mm) diameter mounting holes. Series HS 18000 has four 7/16" (11mm) diameter mounting holes. Series 80000 and D80000 inlet matches recommended hose I.D.
NOTE: For D9000 dimensions see chart on page 12 -- refer to E9000 dimensions.

MODELS WITHOUT HOSE				HOSE CAPACITY				ADDITIONAL INFORMATION							
MODEL	WEIGHT		PRESSURE		I.D.		O.D.		(F)NPTF INLET	LENGTH					
	lbs / kg	psi / bar	in / mm	in / mm	in / mm	in / mm	in	ft / m							
LOW and MEDIUM PRESSURE REELS															
5600 OLS	23 10	500 35	3/8 10	.690 18	3/8	35 11	Reels not cataloged with hose. Hoses are quoted separately on request. Maximum temperature 210° F (99° C) Consult manufacturer for higher temperature. For all metric thread connections over 1/2" add the suffix number 70 to indicate BSPT threads - example D83000 OLS70								
5600 OMS	24 11	3000 207	3/8 10	.690 18	3/8	30 9									
7800 OLS	44 20	500 35	1/2 13	.781 20	1/2	50 15									
7600 OMS55	42 19	3000 207	3/8 10	.690 18	3/8	66 20									
7800 OMS	47 21	3000 207	1/2 13	.820 21	1/2	50 15									
D9200 OLS	115 52	500 35	1/2 13	.781 20	1/2	100 30									
D9300 OLS	116 53	500 35	3/4 19	1.188 30	3/4	75 23									
D9400 OLS	117 53	500 35	1 25	1.500 38	1	50 15									
D9200 OMS	118 54	3000 207	1/2 13	.820 21	1/2	100 30									
D9300 OMS	118 54	3000 207	3/4 19	1.188 30	3/4	75 23									
82000 OLS	81 37	500 35	1/2 13	.781 20	1/2	100 30									
82000 OMS	83 38	1500 104	1/2 13	.820 21	1/2	75 23									
83000 OLS	81 37	500 35	3/4 19	1.188 30	3/4	50 15									
83000 OMS	83 38	1250 86	3/4 19	1.188 30	3/4	50 15									
D83000 OLS	76 34	500 35	3/4 19	1.188 30	3/4	75 23									
D84000 OLS	77 35	500 35	1 25	1.500 38	1	50 15									
MANUAL CRANK MEDIUM PRESSURE REELS											MAXIMUM HOSE CAPACITY				
														I.D.	1/4 6
										O.D.	.530 14	.688 18	.845 22	1.188 30	1.500 38
HS18000 M	37 17	3000 207	See chart at right		1/2	See chart at right				HOSE LENGTH	425 130	300 91	200 61	— —	— —
HS28000 M	35 16	3000 207			1/2						625 191	450 137	300 91	— —	— —
HS19000 M	42 19	3000 207			3/4						425 130	300 91	200 61	75 23	— —
HS29000 M	41 19	3000 207			3/4						625 191	450 137	300 91	125 38	— —
HS37000 L	47 21	500 35			1						— —	— —	— —	— —	100 30

North America: **800-444-3134** China: **(519) 8512 2391**
 Europe: **+44 (0) 1536 406999** Pacific Rim: **+63 (45) 625-6624**
 Latin America: **001-260-489-1685**
reelcraft.com

Reelcraft Industries is
ISO 9001:2000
 Certified Since 1996

Models listed with an icon can be shipped same day upon request when the order is received by 11:30 AM local time for quantities of 5 or fewer.

- Indiana Warehouse
- California Warehouse
- Indiana & California Warehouses
- Canadian Warehouse

Stainless Steel Spring Retractable Reels

Air/Water/Oil - 3/8", 1/2", 3/4", 1" I.D.

Reelcraft's stainless steel hose reels are ideal for food processing, pre-rinse, wash down, chemical transfer and industrial-solvent handling. Also suitable for coastal, offshore and on-board ship in marine applications where the harsh environment of salt water spray requires the use of stainless steel hose reels. Swivels include Viton® "O" rings.

Stainless steel hose reels increase the life of expensive chemical fluid transfer and wash down hoses and improve sanitation. Eliminate tripping hazards of hoses by properly storing them on reels.

NOTE: Standard latch parts are made from aluminium. Stainless latch parts are available as a standard option (except 80000 Series) by placing an "S" at the end. Example: OLSS.

FEATURES

- ✓ Full-flow stainless steel shaft and swivel assures maximum product delivery.
Exception: Series 80000- aluminum fluid path.
- ✓ Heavy duty brackets eliminate bending due to angular hose pull.
- ✓ Banded drive spring gives smooth automatic hose retrieval.
- ✓ Multi-position guide arm permits wall, floor, ceiling, pit or truck mounting.
- ✓ Nylon guide rollers reduce hose drag and abrasion.
- ✓ Pos-i-latch will maintain the desired working length of hose. Mechanism assures a positive latch of the hose.
- ✓ All reels are permanently factory lubricated.
- ✓ 7000 Series offers weatherproof gasketed spring motor, assures maximum service life.
- ✓ Vibration-proof self-locking fasteners assures assembly integrity.
- ✓ 304L grade of stainless steel.
- ✓ Passivated for electro-polish finish.

*Series 80000 and D80000 stainless reels have an aluminum fluid path and may not be suitable for all applications.



Series 5000

Compact

Great for areas where space is critical



HS18000 M



Series 7000

Heavy Duty



Series 80000

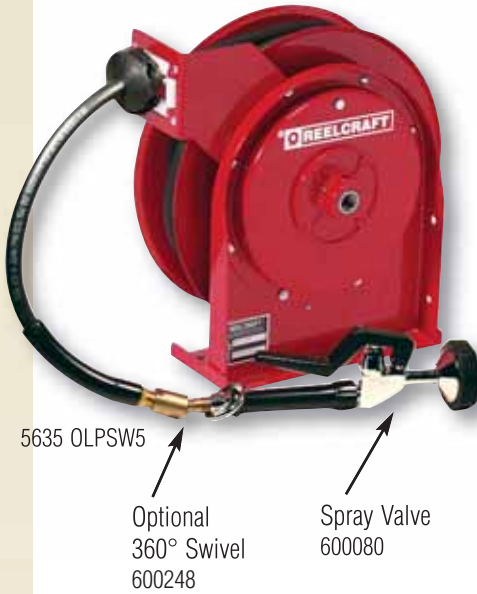
Ultra Heavy Duty

Heavy duty dual pedestal for maximum strength



Series D9000

Made in USA



Spring Retractable Pre-Rinse Reels - 3/8" I.D.

Crafted for use with corrosion-resistant appliances in restaurants, institutions, home and garden applications, Reelcraft's pre-rinse reels include a standard lever-operated spray valve and stainless steel spring hose guard. Available in stainless or powder finish. Rated for hot water up to 210° F (99° C).

Hot water washdown and food prep

Commercial use, restaurants, schools, home/garden and more



Spring Retractable Potable (Drinking) Water Reel - 1/2" I.D.

Designed for potable water systems, the A5835 OLBSW23 is suitable for use as a drinking water system component. Fluid path is stainless steel and CPVC material.

Drinking Water

Boats, RVs, buses and much more

PRE-RINSE REEL FEATURES

- ✓ Lever-operated spray valve and stainless steel hose guard are included
- ✓ Optional 360° rotating swivel (600248) offers 20 degrees of angular motion
- ✓ Push-Lok, field replaceable, hose-end fittings
- ✓ Reels can be mounted on the wall, ceiling, or under a counter, making water conveniently available
- ✓ Latching mechanism hold hoses at desired length

Made in USA

POTABLE WATER REEL FEATURES

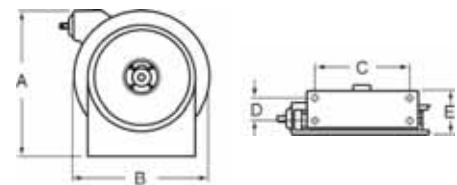
- ✓ Stainless steel, full flow shaft and swivel
- ✓ Convenient fast hook-up and disconnect
- ✓ Drain and standard female garden hose inlet fitting are standard
- ✓ Maximum operating temperature 86° F (30° C)

SPECIFICATIONS

MODEL	I.D.		O.D.		(F)NPTF INLET	LENGTH	WEIGHT	PRESSURE
	in / mm	in / mm	in / mm	in / mm	in	ft / m	lbs / kg	psi / bar
PRE-RINSE REELS								
4625 OLPSW5	3/8	10	.640	16	3/8	25 8	24 11	250 17
5635 OLPSW5	3/8	10	.640	16	3/8	35 11	30 14	250 17
5635 ELPSW5	3/8	10	.640	16	3/8	35 11	39 18	250 17
PRE-RINSE STAINLESS STEEL REELS								
5635 OLSSW5	3/8	10	.640	16	3/8	35 11	29 13	250 17
5635 ELSSW5	3/8	10	.640	16	3/8	35 11	39 18	250 17
POTABLE (Drinking) WATER REELS OUTLET - Garden Hose Fitting 3/4" N/H Threads (F)								
A5835 OLBSW23*	1/2	13	.781	20	1/2 Male	35 11	35 16	150 10

* Maximum operating temperature is 86° F (30° C)

DIMENSIONS



	4000 O		5000 O		5000 E	
	in / mm	in / mm	in / mm	in / mm	in / mm	in / mm
A	12 7/8 327	14 1/2 368	18 1/2 470			
B	12 5/8 321	13 1/2 343	15 381			
C	8 203	9 3/4 248	9 3/4 248			
D	2 1/2 64	2 1/2 64	2 1/2 64			
E	5 3/8 137	6 152	7 178			

Four 5/16" (8mm) diameter mounting holes.

North America: **800-444-3134** China: **(519) 8512 2391**
 Europe: **+44 (0) 1536 406999** Pacific Rim: **+63 (45) 625-6624**
reelcraft.com Latin America: **001-260-489-1685**

Reelcraft Industries is
ISO 9001:2000
 Certified Since 1996

Models listed with an icon can be shipped same day upon request when the order is received by 11:30 AM local time for quantities of 5 or fewer.



Medium Duty, Durable Series S

Spring Retractable Composite Reels Air/Water/Chemical Delivery/Welding - 3/8", 1/2" I.D.

Series S reels are economical, lighter weight, easy to handle and meet the demands of a medium-duty industrial grade reel for continuous operation. Made of corrosion-proof, tough polypropylene, extensive tests have shown it to be highly resistant to the vast majority of acids, alkalis and UV rays. The design protects the hose and allows easy cleaning of both hose and reel. Wall or floor mount.

A unique combination of composites and metals

The tough composite poly-propylene outer case houses solid brass swivel and fluid path, a steel main shaft and high quality spring steel motor.

Corrosion-resistant, durable

The tough composite poly-propylene outer case is UV stabilized and resistant to most acids and alkalis with excellent impact resistance. Suitable for general applications and environments where corrosion is an issue.

Positive latching system

The design of the latching system ensures positive latching in any mounting position.

Unique mounting

The bracket system supplied with the reel allows mounting in any position with the advantage of the swivel feature.

Lighter weight

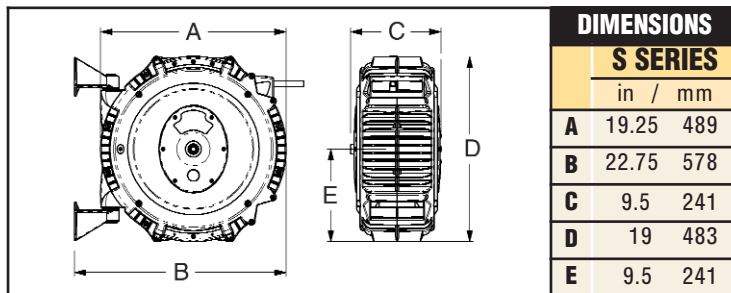
Pound for pound the S Series offers distinct weight advantages due to the composite case construction.



Arbor Farms Nursery, Fort Wayne, Indiana



SGA3650 OLP



Composite / S Series

- ✓ Combination Air/Water
- ✓ Water Service
- ✓ Hot Water Wash
- ✓ Chemical Delivery
- ✓ Oxygen Acetylene

SPECIFICATIONS										
MODEL (with hose)	WEIGHT lbs / kg	PRESSURE psi / bar	I.D. in / mm	O.D. in / mm	LENGTH ft / m	(M)NPTF	(F)NPTF			
						HOSE OUTLET	REEL INLET	in	in	
AIR* & WATER* REELS Working Temperature 150° F (65° C).										
SGA3650 OLP	23 10	232 16	3/8 10	.621 16	50 15	3/8	3/8			
SGA3665 OLP	27 12	232 16	3/8 10	.621 16	65 20	3/8	3/8			
SGA3850 OLP	27 12	232 16	1/2 13	.781 20	50 15	1/2	1/2			
WATER REEL Garden-style hose end. Working Temperature 150° F (65° C).										
SWA3850 OLP	27 12	125 9	5/8 16	.750 19	50 15	3/4 NH	1/2			
HOT WATER WASH REEL NOTE: Working Temperature 185° F (85° C). Working pressure is related to working temperature.										
SHA3850 OLP	27 12	232 16	1/2 13	.781 20	50 15	1/2	1/2			
CHEMICAL DELIVERY REEL										
SCA3850 OLP	27 12	232 16	1/2 13	.781 20	50 15	1/2	1/2			
OXYGEN/ACETYLENE REEL Working Temperature 150° F (65° C).										
STW3450 OLP	27 12	300 21	1/4 6	.530 13	50 15	9/16"18(F)LH-RH	9/16"18(F)LH-RH			
STW3450 OLP C dimension = 11.25" / 286mm. *NOTE: Air hose can be used for water on these models.										

Suitable for all position mounting.

Series S reels are made in Australia.

North America: **800-444-3134** China: **(519) 8512 2391**
 Europe: **+44 (0) 1536 406999** Pacific Rim: **+63 (45) 625-6624**
reelcraft.com Latin America: **001-260-489-1685**



Spring Retractable, Hand Crank, Motor Driven

Air/Water - 1/4", 3/8", 1/2" I.D.

Compact design and quality steel construction are incorporated into Reelcraft's newest line of pressure wash reels, rated up to 4500 PSI. Series PW, H18006 and 30000 reels are able to carry 50 to 400 feet of tangle-free hose and are complete with a high pressure water swivel for maximum product delivery. The high pressure water swivel is designed to handle a broad range of pressures, temperatures and chemicals; perfect for agricultural/marine, equipment cleaning and pressure washing applications.

Heavy duty

Pressure up to 4500 PSI and up to 100 feet of hose

PW7650 OHP



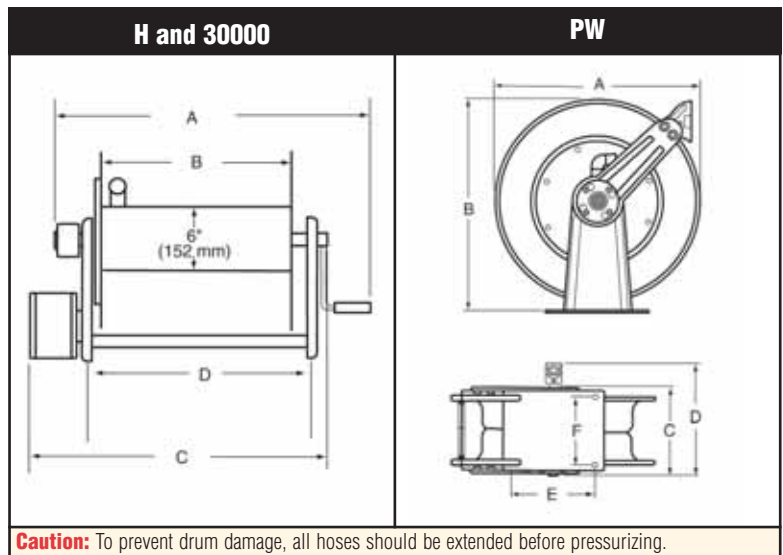
CA38106 M

APPLICATIONS

- Agricultural
- Marine
- Equipment cleaning
- Pressure washing
- Much more

Hand crank

Pressure up to 3000 PSI and up to 300 feet of hose



Caution: To prevent drum damage, all hoses should be extended before pressurizing.

Made in USA

CAPACITY				HOSE CAPACITY AND REEL DIMENSIONS																
	ft / m		ft / m		ft / m		DIMENSIONS													
Hose I.D.	1/4	6	3/8	10	1/2	13	A		B		C		D		E		F			
Hose O.D.	.530	13	.688	17	.845	21														
MODEL	LENGTH						WEIGHT	A		B		C		D		E		F		
	ft / m		ft / m		ft / m			lbs / kg	in / mm		in / mm		in / mm		in / mm		in / mm		in / mm	
SPRING DRIVEN - Pressure 4500 psi / 311 bar *hose included - Maximum Temperature 212°F (100°C); Maximum Temperature 400°F (200°C)																				
NEW PW7600 OHP	—	—	50	15	—	—	46	21	19	483	20 1/4	514	7	178	7	178	7 7/8	200	3 7/8	98
PW7650 OHP*	—	—	50	15	—	—	50	23	19	483	20 1/4	514	7	178	7	178	7 7/8	200	3 7/8	98
CA PW81000 OHP	—	—	100	30	—	—	81	37	24	610	25 3/8	645	8 5/16	211	10 1/2	267	10	254	6	152
HAND CRANK - Pressure 3000 psi / 207 bar; Maximum Temperature 400°F (200°C)																				
CA H18006 M	150	46	100	30	—	—	34	15	18	457	14	356	—	—	5 1/2	140	7 3/4	197	—	—
CA38106 M	200	61	140	43	100	30	44	20	19	483	6	152	—	—	9 3/4	248	9	229	—	—
CA38112 M	425	130	300	91	200	61	49	22	25	635	12	305	—	—	15 3/4	400	9	229	—	—
ELECTRIC MOTOR DRIVEN - Pressure 3000 psi / 207 bar; Maximum Temperature 400°F (200°C)																				
EA38106 M12D	200	61	140	43	100	30	63	29	—	—	6	152	19 5/8	498	9 3/4	248	9	229	—	—
EA38112 M12D	425	130	300	91	200	61	71	32	—	—	12	305	23 11/16	602	15 3/4	400	9	229	—	—

North America: **800-444-3134** China: **(519) 8512 2391**
 Europe: **+44 (0) 1536 406999** Pacific Rim: **+63 (45) 625-6624**
 Latin America: **001-260-489-1685**
reelcraft.com

Reelcraft Industries is
ISO 9001:2000
 Certified Since 1996

Models listed with an icon can be shipped same day upon request when the order is received by 11:30 AM local time for quantities of 5 or fewer.

- Indiana Warehouse
- California Warehouse
- Indiana & California Warehouses
- Canadian Warehouse

General Use Hand Crank Series CU and H

Light Duty Hand Crank Reels Air/Water - 3/8" I.D.

Series CU reels are designed for lighter-duty applications that require longer lengths of low pressure air/water hose. Hand crank with a balanced brass swivel and brass inlet, Series CU is the product of lighter weight components and forward-thinking design. An economical choice for storing and retrieving hose.

SPECIFICATIONS

MODEL	HOSE I.D.		(M)NPTF OUTLET	(F)NPTF INLET	LENGTH	WEIGHT	PRESSURE	
	in / mm	in / mm	in	in	ft / m	lbs / kg	psi / bar	psi / bar
LOW PRESSURE AIR/WATER REELS: Maximum Temperature 150°F (65°C)								
CU6050LN	3/8	10	3/8	3/8	50 15	10 4.5	250	17
CU6100LN	3/8	10	3/8	3/8	100 30	13 6	250	17

Reels are supplied w/o hose; assemblies will be quoted upon request.

DIMENSIONS

	H16000		H18000		H28000		H28005		H29000		H29005		CU6050LN		CU6100LN	
	in	mm	in	mm	in	mm	in	mm	in	mm	in	mm	in	mm	in	mm
A	19	483	19	483	20 1/8	512	11 1/2	292	11 1/2	292						
B	20	508	20	508	14	356	11	279	11	279						
C	15	381	15	381	10	254	2	51	2	51						
D	10	254	16	407	16	407	6	152	10 1/2	267						
E	12 1/2	318	18 1/2	470	18 1/2	470	11 1/4	286	15 5/8	397						
F	5 3/4	146	5 3/4	146	5 3/4	146	5 1/2	140	5 1/2	140						

SPECIFICATIONS

MODEL	HOSE I.D.		HOSE O.D.		(F)NPTF INLET	LENGTH	WEIGHT	PRESSURE	
	in / mm	in / mm	in / mm	in / mm	in	ft / m	lbs / kg	psi / bar	psi / bar
LOW PRESSURE AIR/WATER REELS Maximum Temperature 150°F (65°C)									
H16000	3/8	10	.688	17	3/8	300 91	32 15	500	35
H18000 CA	1/2	13	.844	21	1/2	200 61	33 15	1000	69
H28005	1/2	13	.844	21	1/2	300 91	34 15	1000	69
H28000	1/2	13	.844	21	1/2	300 91	37 17	1000	69
H19000	3/4	19	1.118	30	3/4	100 30	33 15	1000	69
H29005	3/4	19	1.118	30	3/4	100 30	35 16	1000	69
H29000	3/4	19	1.118	30	3/4	150 46	41 19	1000	69

MEDIUM PRESSURE OIL REELS

 Maximum Temperature 210°F (99°C)

H16000 M	3/8	10	.690	18	3/8	300 91	32 15	3000	207
H18000 M CA	1/2	13	.815	21	1/2	200 61	35 16	3000	207
H19000 M CA	3/4	19	1.118	30	3/4	80 24	38 17	3000	207
H29000 M	3/4	19	1.118	30	3/4	125 38	35 16	3000	207

HIGH PRESSURE GREASE REELS

 Maximum Temperature 210°F (99°C)

H16000 H	3/8	10	.750	19	3/8	250 76	32 15	5000	345
----------	-----	----	------	----	-----	--------	-------	------	-----

Reels are supplied w/o hose; assemblies will be quoted upon request.

CAUTION: To prevent drum damage fully extend and pressurize hose and rewind on the reel.
Stainless models available. See page 16 and 17.



Light duty
CU6100LN

NEW!



Light duty
CU6050LN

NEW!



Medium duty
H16000

Medium Duty Hand Crank Reels Air/Water/Oil/Grease

3/8", 1/2", 3/4" I.D.

Series H is an economical reel designed for medium duty applications requiring long lengths of hose. It is equally suited for plant or field use such as turf care, pest control, steam cleaning and more. Shipped completely assembled, ready to install.



Motor Driven
EA33112 L12D

- ✓ Adjustable spool rotation drag that eliminates hose backlash
- ✓ Nickel-plated swivel with four "O" ring options: AFLAS (standard), Buna, Viton® or -EPR* seals
- ✓ Full flow shaft and ball bearing swivel (excludes 1/2" models)
- ✓ Permanently lubricated dual main bearings

- ✓ Motor mounting at either end of reel
- ✓ All bolted construction - no welds
- ✓ Optional lock pin to prevent spool rotation when the reel is not in use, part #S600874
- ✓ Temperature operating range from -20° F (-29° C) to +250° F (121° C)
- ✓ Vibration-proof self-locking fasteners to ensure assembly integrity *Standard swivel

Note: Many more reel models available in addition to chart

Please contact manufacturer for details

SPECIFICATIONS

MODEL	HOSE I.D.		HOSE O.D.		(F)NPTF REEL INLET	CAPACITY		WEIGHT		PRESSURE		A		B		C		D	
	in / mm	in / mm	in / mm	in / mm		in	ft / m	lbs / kg	psi / bar	in / mm	in / mm	in / mm	in / mm	in / mm	in / mm	in / mm	in / mm	in / mm	
HAND CRANK																			
CA32106 L	1/2	13	.845	21	1/2	100	30	42	19	1000	69	19	483	6	152	N/A		9 3/4	248
CA32112 L	1/2	13	.845	21	1/2	200	61	49	22	1000	69	25	635	12	305	N/A		15 3/4	400
CA32118 L	1/2	13	.845	21	1/2	325	99	56	25	1000	69	31	787	18	457	N/A		21 3/4	552
CA32122 L	1/2	13	.845	21	1/2	400	122	65	29	1000	69	35	889	22	559	N/A		25 3/4	654
CA32128 L	1/2	13	.845	21	1/2	500	152	69	31	1000	69	40	1016	27	686	N/A		30 3/4	781
CA32106 M	1/2	13	.845	21	1/2	100	30	43	20	3000	207	19	483	6	152	N/A		9 3/4	248
CA32112 M	1/2	13	.845	21	1/2	200	61	49	22	3000	207	25	635	12	305	N/A		15 3/4	400
CA33106 L	3/4	19	1.188	30	3/4	50	15	43	20	1000	69	19	483	6	152	N/A		9 3/4	248
CA33112 L	3/4	19	1.188	30	3/4	100	30	49	22	1000	69	25	635	12	305	N/A		15 3/4	400
CA33118 L	3/4	19	1.188	30	3/4	175	53	56	25	1000	69	31	787	18	457	N/A		21 3/4	552
CA33112 M	3/4	19	1.188	30	3/4	100	30	49	22	3000	207	25	635	12	305	N/A		15 3/4	400
CA33118 M	3/4	19	1.188	30	3/4	175	53	56	25	3000	207	31	787	18	457	N/A		21 3/4	552
CA37118 L*	1	25	1.380	35	1	100	30	58	26	300	21	34	864	18	457	N/A		21 3/4	552
BEVEL CRANK REELS																			
BA36112 L	1/4	6	Twin Welding		1/4	250	76	57	26	200	14	25	635	12	305	N/A		15 3/4	400
BA34112 M	1/2	13	Twin Hydraulic		1/2	100	30	54	24	3000	207	25	635	12	305	N/A		15 3/4	400
ELECTRIC MOTOR DRIVEN REELS																			
EA32106 L10A	1/2	13	.845	21	1/2	100	30	63	29	1000	69	N/A	6	152	19 5/8	498	9 3/4	248	
EA32112 L12D CA	1/2	13	.845	21	1/2	200	61	71	32	1000	69	N/A	12	305	23 11/16	602	15 3/4	400	
EA32118 L12D	1/2	13	.845	21	1/2	325	99	77	35	1000	69	N/A	18	457	29 5/8	752	21 3/4	552	
EA33112 M12D	3/4	19	1.188	30	3/4	100	30	71	32	3000	207	N/A	12	305	23 5/8	600	15 3/4	400	
EA33128 M12D	3/4	19	1.188	30	3/4	275	84	91	41	3000	207	N/A	27	686	38 5/8	981	30 3/4	781	
EA33112 L12D	3/4	19	1.188	30	3/4	100	30	71	32	1000	69	N/A	12	305	23 5/8	600	15 3/4	400	
EA33118 L12D	3/4	19	1.188	30	3/4	175	53	71	32	1000	69	N/A	18	457	29 5/8	752	21 3/4	552	
EA33112 M24D	3/4	19	1.188	30	3/4	100	30	71	32	3000	207	N/A	12	305	23 5/8	600	15 3/4	400	
EA37118 L12D*	1	25	1.380	35	1	100	30	75	34	300	21	N/A	18	457	31	787	21 3/4	552	
AIR MOTOR DRIVEN REELS - Filter, regulator, lubricator required																			
AA32112 L4A	1/2	13	.845	21	1/2	200	61	62	28	1000	69	N/A	12	305	23 1/4	591	15 3/4	400	
AA33106 L4A	3/4	19	1.188	30	3/4	50	15	59	26	1000	69	N/A	6	152	17 1/4	438	9 3/4	248	
AA33112 L6A	3/4	19	1.188	30	3/4	100	30	62	28	1000	69	N/A	12	305	23 1/4	591	15 3/4	400	

All 30000 series reels are supplied without hose. Assemblies quoted upon request. Inlet is NPTF (F) and matches swivel size. Outlet is 1" NPTF male. *Series 37000 reels do not have a gooseneck. **Caution:** To prevent drum damage, fully extend and pressurize hose and rewind on the reel. Inlet and outlet for EA33118 L12D is 3/4"

North America: **800-444-3134** China: **(519) 8512 2391**
 Europe: **+44 (0) 1536 406999** Pacific Rim: **+63 (45) 625-6624**
 Latin America: **001-260-489-1685**
reelcraft.com

Reelcraft Industries is
ISO 9001:2000
 Certified Since 1996

Models listed with an icon can be shipped same day upon request when the order is received by 11:30 AM local time for quantities of 5 or fewer.

Indiana Warehouse
 California Warehouse
 Indiana & California Warehouses
 Canadian Warehouse



Series 30000

Long Hose Lengths Series 30000

DIMENSIONS AND SPECIFICATIONS						
HOSE I.D.	1/4"	3/8"	1/2"	3/4"	1"	
	(6.35mm)	(9.53mm)	(12.70mm)	(19.05mm)	(25.40mm)	
HOSE O.D.	.530"	.688"	.854"	1.188"	1.380"	
	(13.4mm)	(17.5mm)	(21.5mm)	(30.2mm)	(35.0mm)	
"B" WIDTH	HOSE CAPACITY					
WEIGHT	38 lb	200'	140'	100'	50'	N/A
(152 mm)	(18 kg)	(61 m)	(43 m)	(30 m)	(15 m)	
12"	46 lb	425'	300'	200'	100'	N/A
(305 mm)	(21 kg)	(130 m)	(91 m)	(61 m)	(30 m)	
18"	54 lb	625'	450'	325'	175'	100'
(457 mm)	(24 kg)	(191 m)	(137 m)	(99 m)	(54 m)	(31 m)
22"	58 lb	780'	550'	400'	225'	125'
(559 mm)	(27 kg)	(238 m)	(168 m)	(122 m)	(69 m)	(38 m)
27"	66 lb	1000'	700'	500'	275'	150'
(686 mm)	(30 kg)	(305 m)	(213 m)	(152 m)	(84 m)	(46 m)

Heavy Duty Hand Crank and Motor Driven Reels

Air/Water/Oil - 1/4", 1/2", 3/4", 1" I.D.

Reelcraft's Series 30000 reels are designed for rugged, heavy duty applications requiring long lengths of hose and large storage capacity. All-bolted unitized construction with no welds to fatigue, full flow swivel and heavy gauge steel frame, spool and drum ensure longest service life. Series 30000's vibration-proof, self-locking fasteners are ideal for industrial or field use such as turf care or pest control.

Hand Crank
CA33112L



Hose Installation: The Series 30000 gooseneck is easily removed from the reel for hose attachment. Simply remove the four fasteners attaching gooseneck to reel, connect hose to the gooseneck and re-connect to the reel. NOTE: Do not discard the O-ring; insure that the O-ring is properly fitted into the grooves when replacing the gooseneck.

Four 1/2 inch (12.7mm) diameter mounting holes

Note: Weights listed are for crank driven - Add for power driven, electric - all explosion proof 45 lb. (20.41 kg); 12 Volt D.C. 1/3 H.P. 30 lb. (13.61 kg); Air 6 AM 36 lb. (16.33 kg). * Note: capacity chart is reference only.

For all metric thread connections over 1/2" add the suffix number 70 to indicate BSPT threads - example CA33112 M70.

Made in USA

Model Number Significance

EA 3 2 1 12 L 12 D X

Drive Type

- AA - Air, Pneumatic motor driven
- BA - Bevel crank - Front position
- CA - Hand crank direct drive
- EA - Electric driven, AC or DC
- HA - Hydraulic driven

Swivel Size

- 0 - No Swivel
- 2 - 1/2" (13mm) I.D.
- 3 - 3/4" (19mm) I.D.
- 4 - 1/2" (13mm) Dual
- 5 - 3/4" (19mm) Dual
- 6 - 1/4" (6mm) Dual
- 7 - 1" (25mm) I.D.
- 8 - 1/2" (13mm) I.D. Pressure Wash

Explosion Proof X

- Electric Current Type
- Electric Motor only

Power Source

- A - A.C.
- D - D.C.

Pressure Type

- 12 - 12 Volt D.C.
- 24 - 24 Volt D.C.
- 10 - 115 Volt A.C.
- 4A - 1 1/2 hp (Air Motor)
- 6A - 4 hp (Air Motor)

Width of Spool

- L - 1000 PSI (69 bar)
- M - 3000 PSI (207 bar)

NOTE: This chart is for reference purposes only. Reels cannot be ordered by selecting from this chart. Please see selection charts or consult manufacturer for additional models not listed in selection chart or for any questions about option combinations.

06 - 6" (152mm) Width of spool
 12 - 12" (305mm) Width of spool
 18 - 18" (457mm) Width of spool
 22 - 22" (559mm) Width of spool
 28 - 27" (686 mm) Width of spool
 Refer to line drawing above

CAUTION: To prevent drum damage, fully extend and pressurize hose, then wind on the reel. The 30000 series should always be wound under pressure.



Portable Hose Reel and Cart



Hose Reel and Cart Package
600968

Hose Reel and Cart Packages

Package	Items included
600965	12" hand crank hose reel (CA32112 L); 12" hand cart with pneumatic tires (600741-1); 10' inlet hose (600962)
600966	12" hand crank hose reel (CA32112 L); 12" hand cart with semi-pneumatic tires (600741-2); 10' inlet hose (600962)
600967	12" hand crank hose reel (CA33112 L); 12" hand cart with pneumatic tires (600741-1); 10' inlet hose (600963)
600968	18" hand crank hose reel (CA37118 L); 18" hand cart with pneumatic tires (600885-1); 10' inlet hose (S600829-10)

Additional Accessories

- Battery box (battery not included): 600812
- Battery cable connector: 600814
- Bottom hose roller guide: 600226-3
- Chain guard: 600518
- Hose: 1" ID x 100', 1" NPT x 1" NPSH: 600829-100
- Hose: 3/4" ID x 150', 3/4" NPT x 1" NPSH: 601044-150
- Inlet hose 1" ID x 10', 1" NPT x 1" NPSH: 600829-10
- Operating switch: S600808
- Top hose roller guide: 600848-3

Made in USA



600965

	CART SIZE			
	12	305	18	457
	in / mm		in / mm	
A	Adjustable*			
B	23 3/4	603	28 3/4	730
C	18 1/4	464	18 1/4	464

*Handle height of cart is adjustable to 35.625", 38.625", 41.5" or 44.5"
Eight 5/16" (8 mm) diameter mounting holes

Hose Reel Cart and Trailer Series 30000



600910

Hose Reel and Trailer

Reelcraft's rugged, self-contained hose reel trailer easily attaches to most off-road vehicles or carts and is pre-drilled 12" or 18" for Series 30000 hose reels. Reels hold up to 150' of 3/4" I.D. or 100' of 1" I.D. water hose. Makes spot watering easier, quicker and more convenient.

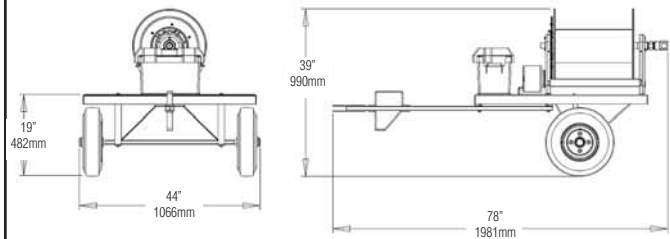
Hose Reel and Trailer Packages

Package	Items included
600911	Trailer (600810); Hand rewind hose reel (CA37118 L); 10' lead hose (600829-10); Roller Bracket, top wind (602133-3)
600910	Trailer (600810); 12V DC Motor driven hose reel (EA37118 L12D); Switch, complete (S600808); Battery box, battery not included (600812); Chain guard (600518); Roller bracket, top wind (602133-3); Roller bracket, bottom wind (602132-2); 10' lead hose with 1" I.D. (600829-10)
600810	Trailer only - does not include hose or reel. Reels designed for trailer include motor driven # EA37118 L12D and hand crank # CA37118 L. Trailer weight 154 lbs / 70kg.



Hose Reel and Trailer Package
600910

Trailer Dimensions



Trailer designed for off-road use only, not for passenger transport. Maximum weight capacity 400 pounds. Maximum speed 15 miles per hour. Trailer, reel and accessories sold separately.

North America: **800-444-3134** China: **(519) 8512 2391**
 Europe: **+44 (0) 1536 406999** Pacific Rim: **+63 (45) 625-6624**
reelcraft.com Latin America: **001-260-489-1685**

Reelcraft Industries is
ISO 9001:2000
Certified Since 1996

Models listed with an icon can be shipped same day upon request when the order is received by 11:30 AM local time for quantities of 5 or fewer.

- Indiana Warehouse
- California Warehouse
- Indiana & California Warehouses
- Canadian Warehouse

Large Frame Reels Nordic™ Series 1200

Heavy Duty Large Frame Reels Nordic™ Series 1200

1" Fluid Path for 1/2" through 1" I.D. Hose

Rewind: Direct crank rewind or chain and sprocket drive powered by A.C. or D.C. electric motor, compressed air motor or hydraulic motor. Crank is not supplied on power rewind models. A pin lock assembly is optional on manual rewind reels. A 3/8" pitch chain is standard.

Inlet: 1/2" up to 1" female/male NPT 90° swivel joint. Straight swivel joint may be specified at extra cost.

Gooseneck: 1/2", 3/4", 1" female NPT. Other sizes and/or threads, including garden hose thread, can be furnished when specified.

The standard color for this series is red.

NEW!

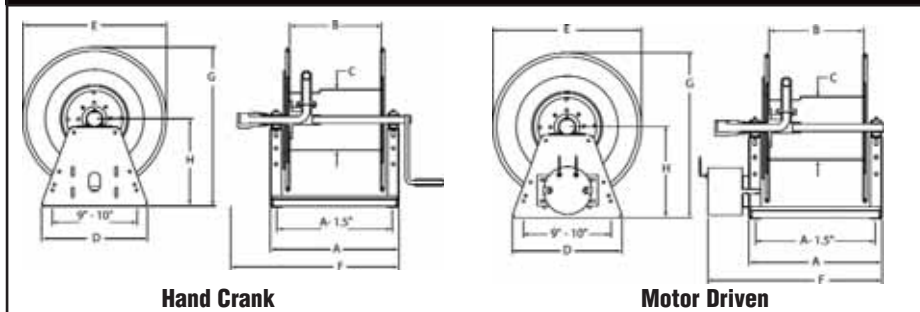


Nordic Series 1200

Shown with optional three-way roller bracket.

Nonexplosion-proof motor is standard "E" (pictured). Explosion proof (EP) motor is available upon request.

DIMENSIONS DIAGRAM



Product temperatures range from -20° to +225°F and standard pressures to 3000 PSI. Other temperatures or pressures can be furnished at extra cost; consult manufacturer.

Made in USA

HOSE I.D.		in	1/2	3/4	1	SPECIFICATIONS - HOSE CAPACITY AND REEL DIMENSIONS														
HOSE O.D.		mm	12.7	19.1	25.4	KEY: CRK = hand crank; "E" = nonexplosion-proof electric motor; EP = explosion-proof motor; AIR = air motor; BEVEL = bevel crank														
MODEL	HOSE LENGTH	in	mm	mm	mm	WEIGHT CRANK*	WEIGHT MOTOR*	WEIGHT BEVEL*	A	B	C	D	E	F CRK	F "E"	F EP	F AIR	F BEVEL	G	H
1200-19-6	ft	100	50	35	41 LB	58 LB	48 LB	in	11	6	8	14	19	22	16.5	18.5	16	22	21	11.6
	m	30	15	11	19 KG	26 KG	22 KG	mm	279	152	203	356	483	559	419	470	406	559	533	295
1200-19-12	ft	200	100	70	43 LB	60 LB	50 LB	in	17	12	8	14	19	28	22.5	24.5	22	28	21	11.6
	m	61	30	21	20 KG	27 KG	23 KG	mm	432	305	203	356	483	711	572	622	559	711	533	295
1200-19-18	ft	300	150	105	44 LB	61 LB	51 LB	in	23	18	8	14	19	34	28.5	30.5	28	34	21	11.6
	m	91	46	32	20 KG	28 KG	23 KG	mm	584	457	203	356	483	864	724	775	711	864	533	295
1200-19-22	ft	365	180	125	45 LB	62 LB	52 LB	in	27	22	8	14	19	38	32.5	34.5	32	38	21	11.6
	m	111	55	38	20 KG	28 KG	24 KG	mm	686	559	203	356	483	965	826	876	813	965	533	295
1200-19-28	ft	465	230	160	46 LB	63 LB	53 LB	in	33	28	8	14	19	44	38.5	40.5	38	44	21	11.6
	m	142	70	49	21 KG	29 KG	24 KG	mm	838	711	203	356	483	1118	978	1029	965	1118	533	295
1200-23-6	ft	150	75	50	49 LB	66 LB	56 LB	in	11	6	11.25	15.25	23	22	16.5	18.5	16	22	25.1	13.6
	m	46	23	15	22 KG	30 KG	25 KG	mm	279	152	286	387	584	559	419	470	406	559	638	345
1200-23-12	ft	300	150	100	51 LB	68 LB	58 LB	in	17	12	11.25	15.25	23	28	22.5	24.5	22	28	25.1	13.6
	m	91	46	30	23 KG	31 KG	26 KG	mm	432	305	286	387	584	711	572	622	559	711	638	345
1200-23-18	ft	450	225	150	52 LB	69 LB	59 LB	in	23	18	11.25	15.25	23	34	28.5	30.5	28	34	25.1	13.6
	m	137	69	46	24 KG	31 KG	27 KG	mm	584	457	286	387	584	864	724	775	711	864	638	345
1200-23-22	ft	550	275	180	53 LB	70 LB	60 LB	in	27	22	11.25	15.25	23	38	32.5	34.5	32	38	25.1	13.6
	m	168	84	55	24 KG	32 KG	27 KG	mm	686	559	286	387	584	965	826	876	813	965	638	345
1200-23-28	ft	700	350	230	54 LB	71 LB	61 LB	in	33	28	11.25	15.25	23	44	38.5	40.5	38	44	25.1	13.6
	m	213	107	70	24 KG	32 KG	28 KG	mm	838	711	286	387	584	1118	978	1029	965	1118	638	345

*Estimated weight on carbon steel frame. Refer to page 26 to build a complete model number.

North America: **800-444-3134** China: **(519) 8512 2391**
 Europe: **+44 (0) 1536 406999** Pacific Rim: **+63 (45) 625-6624**
reelcraft.com Latin America: **001-260-489-1685**



Reelcraft's Engineered Product Solutions

Full Flow Design

The goose neck is contoured to match the drum diameter, which allows smooth hose wrapping and unimpeded flow.

Long Service Life

Swivel incorporates a permanently lubricated ball bearing.

Adjustable Hose Tension

The brake can be adjusted to suit the application requirements.

Trouble-Free Rewinding

Chain and sprocket drive ensures smooth and consistent operation.

Meets or Exceeds Military Vibration for Truck Transport test.

MIL-STD-810F
500,000 mile equivalent

Long Service Life

The spool axial is supported by independent self-aligning bearing.

Free Rotation While Pressurized

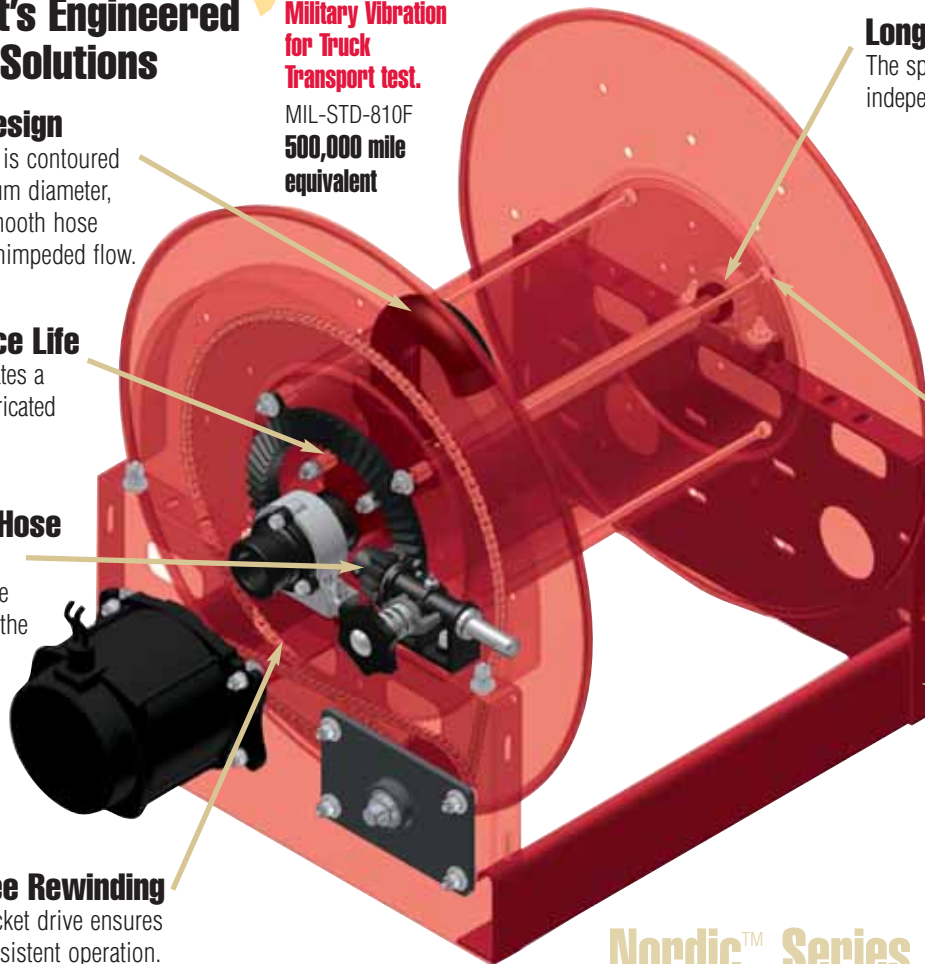
The swing joint and spindle allows reel to freely rotate while fluid is pressurized.

Precise Rigid Construction

Proprietary unitized tie rods are zinc plated offering greater strength and resistance to vibration and corrosion.

Ultimate Corrosion Resistance

Individually powder coated components insure maximum coverage and resistance to corrosion. Stainless steel fasteners are standard.



Nordic™ Series

Drive Options	Series	Head Dia.	Drum Length	Thread Size	Thread Type	Thread Style	Fluid Path Material	Pressure	Inlet Style	Fluid Path Location/Direction	Color Code
E 12 VDC	1200	19	6"-36" in 2" increments	50 1/2"	F Female Outlet	NP NPT	A Aluminum	LP 0-600	1 Straight	1 Left Hand Top Wind	R Red
NJ 24 VDC	2400	21		75 3/4"	FF Female In/Out	BP BSPP	D Ductile Iron	1K 600-1000	2 90 Degree	2 Left Hand Bottom Wind	B Black
EP *12 VDC Exp	3900	23		10 1"	M Male Outlet	BT BSPT	S Stainless	3K 1000-3000	5 1" LPG	3 Right Hand Top Wind	W White
EA *115 VAC Exp	3700	25		12 1 1/4"	MM Male In/Out		B Bronze	5K 3001-5000	6 1 1/2" LPG	4 Right Hand Bottom Wind	G Grey
EJ *24 VDC Exp	5900	28		15 1 1/2"	V Victaulic			6K 5001-6000	7 2" LPG		S Silver
HD Hydraulic		31		20 2"				10K 10,000			
AF 1 1/2 HP Air		36		25 2 1/2"				15K 15,000			
AR 4 HP Air		39		30 3"							
BC Bevel Crank		46		40 4"							
HC Hand Crank											
S Storage											
CR Cable Reel											

Material Options/ Drive Size	Material Options/ Drive Size
1/2" Pitch Chain	###5
5/8" Pitch Chain	###6
3/4" Pitch Chain	###7
Gear Driven	###9
Alum. Frame/Spool	##5#
304 S.S. Frame/Spool	##9#
316 S.S. Frame/Spool	##8#
Sewer Cleaning Reel	##15
Twin Hose	####T

Additional Options
Idler
Chain Guard
Roller Bracket (Top)
Roller Bracket (Bottom)
Inboard Motor
Brake
Auxiliary Bevel Crank
Hose Boss (Guide)
Junction Box
Explosion Proof Switch
Solenoid
Circuit Breaker
Control Valve

Part No. Example: EP3900-23-28-15FFNPALP21-R00
 EP(12VDC Electric Explosion Proof Motor)
 3900(Series 3900 Hose Reel)
 -23(23" Head Dia.) -28(28" Drum Length)
 -15(1-1/2" Thread Size) FF(Female In/Out Thread Type)
 NP(NPT Thread Style) A(Aluminum Fluid Path)
 LP(0-600 PSI) 2(90° Inlet)
 1(Left Hand Top Wind Fluid Path Location/Direction)
 R(Red)

NOTE: Not all options available in every combination. Please contact manufacturer for price and availability.

North America: **800-444-3134** China: **(519) 8512 2391**
 Europe: **+44 (0) 1536 406999** Pacific Rim: **+63 (45) 625-6624**
 Latin America: **001-260-489-1685**

reelcraft.com

Reelcraft Industries is
ISO 9001:2000
Certified Since 1996

Models listed with an icon can be shipped same day upon request when the order is received by 11:30 AM local time for quantities of 5 or fewer.

Indiana Warehouse California Warehouse
 Indiana & California Warehouses Canadian Warehouse



Nordic Series 2400

Large Frame Reels Nordic™ Series 2400

Heavy Duty Large Frame Reels Nordic™ Series 2400

1/2", 3/4" or 1" Fluid Path for 1/2" through 1" I.D. Hose

Rewind: Gear-drive rewind (new) or chain and sprocket drive powered by A.C. or D.C. electric motor, compressed air motor or hydraulic motor.

Inlet: 1/2" up to 1" female/male NPT 90° swivel joint. Straight swivel joint may be specified at extra cost.

Gooseneck: 1/2" up to 1" female/male NPT. Other sizes and/or threads, including male NST and male garden hose thread, can be furnished when specified.

Product temperatures from -20° to +225°F and standard pressures to 3000 p.s.i. Reels to operate at other temperatures or pressures can be furnished at extra cost, consult manufacturer. The standard color for this series is red or gray. ADD 12" to E dimension when crank is in rewind position.

Made in USA

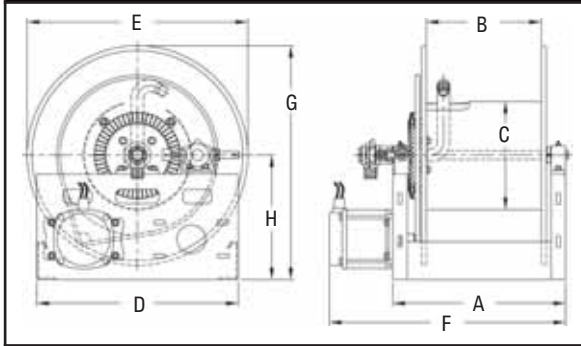
NEW!
Gear drive
option



**1/2" pitch chain
now standard**

Shown with optional
bevel crank.

DIMENSIONS DIAGRAM



Fire Service / Booster Reels

The **aluminum Series 2400** reel for booster hose is corrosion-resistant and weighs up to 50% less than standard steel booster reels. Features include an aluminum spool and frame assembly, plated steel fluid path and plated sprocket and fasteners. **No painting or finishing is required.**



Nordic Series 2455

HOSE I.D.	in	1/2	3/4	1	SPECIFICATIONS - HOSE CAPACITY AND REEL DIMENSIONS																			
	mm	13	19	25	KEY: CRK = hand crank; ELC = electric motor; EXP = explosion-proof motor; AIR = air motor; BEVEL = bevel crank																			
HOSE O.D.	in	.875	1.281	1.563	MODEL	HOSE LENGTH (other std. lengths available)				EST. WEIGHT	A	B	C	D	E CRK	E ELC	E AIR	E HYD	F CRK	F ELC	F AIR	F HYD	G	H
	mm	22	33	40		ft	m	ft	m															
2400-19-16	ft	200	100	50	70 LB	in	21	16	11.25	21	21	21	21	21	21	21	21	26	29	26	28	22.5	13	
	m	61	30	15	32 KG	mm	533	406	286	533	533	533	533	533	533	533	533	660	737	660	711	572	330	
2400-23-14	ft	315	150	100	74 LB	in	20	14	11.25	21	23	23	23	23	23	23	23	24	27	24	26	24.5	13	
	m	96	46	30	34 KG	mm	508	356	286	533	584	584	610	584	610	584	610	686	610	660	622	330		
2400-23-18	ft	485	240	150	78 LB	in	24	18	11.25	21	23	23	23	23	23	23	23	28	31	28	30	24.5	13	
	m	148	73	46	35 KG	mm	610	457	286	533	584	584	610	584	711	787	711	762	711	762	622	330		
2400-23-20	ft	535	260	165	80 LB	in	26	20	11.25	21	23	23	23	23	23	23	23	30	33	30	32	24.5	13	
	m	163	79	50	36 KG	mm	660	508	286	533	584	584	610	584	762	838	762	813	762	813	622	330		
2400-23-24	ft	625	300	200	84 LB	in	30	24	11.25	21	23	23	23	23	23	23	23	34	37	34	36	24.5	13	
	m	191	91	61	38 KG	mm	762	610	286	533	584	584	610	584	864	940	864	914	864	914	622	330		
2400-25-8	ft	235	125	60	72 LB	in	14	8	11.25	21	25	25	25	25	25	25	18	21	18	20	26.5	14		
	m	72	38	18	33 KG	mm	356	203	286	533	635	635	635	635	635	635	457	533	457	508	673	356		
2400-25-14	ft	450	225	110	74 LB	in	20	14	11.25	21	25	25	25	25	25	25	24	27	24	26	26.5	14		
	m	137	69	34	34 KG	mm	508	356	286	533	635	635	635	635	635	635	610	686	610	660	673	356		
2400-31-8	ft	435	185	125	74 LB	in	14	8	11.25	24	31	31	31	31	31	31	18	21	18	20	32.5	17		
	m	133	56	38	34 KG	mm	356	203	286	610	787	787	787	787	787	787	457	533	457	508	826	432		
2400-31-10	ft	540	235	165	76 LB	in	16	10	11.25	24	31	31	31	31	31	31	20	23	20	22	32.5	17		
	m	165	72	50	34 KG	mm	406	254	286	610	787	787	787	787	787	787	508	584	508	559	826	432		
2400-31-16	ft	900	400	300	80 LB	in	22	16	11.25	24	31	31	31	31	31	31	26	29	26	28	32.5	17		
	m	274	122	91	36 KG	mm	559	406	286	610	787	787	787	787	787	787	660	737	660	711	826	432		

Refer to page 26 to build a complete model number. Refer to chart on page 29 for weight adders.

North America: **800-444-3134** China: **(519) 8512 2391**
 Europe: **+44 (0) 1536 406999** Pacific Rim: **+63 (45) 625-6624**
reelcraft.com Latin America: **001-260-489-1685**



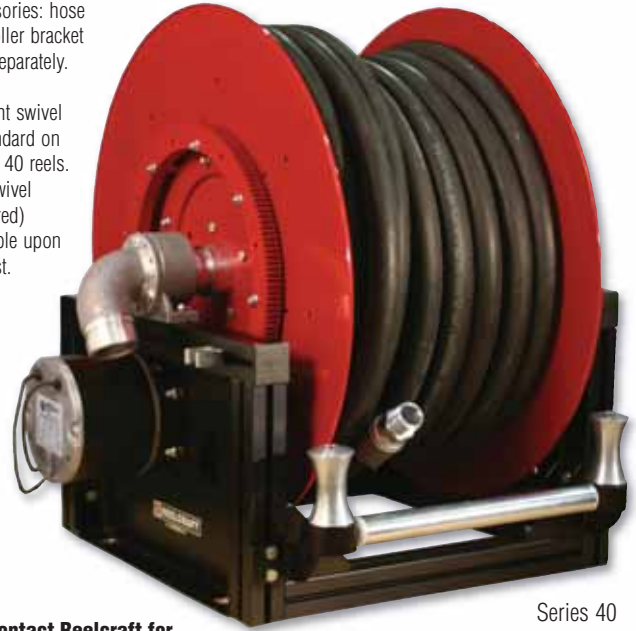
Modular Large Frame Reels Series 40 - 1", 1¼", 1½" I.D.

Flexible Configurations

- ✓ Standard straight ball bearing swivel joint with female NPT threads and 2" victaulic groove. 90° swivel available, no extra charge.
- ✓ Hand crank, bevel crank, gear and chain drives in chart.
- ✓ Also available as standard, explosion proof 12VDC, 115 AC, hydraulic and pneumatic motor.
- ✓ Powder coated steel flanges included, aluminum also available as standard.
- ✓ Open spool spacer allows for easy access to reversible goose neck and open spool design allows for hose flexing under pressure without spool distortion.
- ✓ Plumbing and motor shown on left side; however, any configuration is available as a standard order.
- ✓ Standard colors are powder coat red with black frame. Other colors available upon request.
- ✓ Max pressure: 600 psi. Standard seals maximum temperature 174° F (79° C) and minimum temperature -20° F (-29° C). Extreme temperature seals maximum temperature 400° F (204° C) and minimum temperature -50° F (-45° C).
- ✓ Chain/gear guard is a recommended option, sold separately.

Shown with optional accessories: hose and roller bracket sold separately.

Straight swivel is standard on Series 40 reels. 90° swivel (pictured) available upon request.



Series 40

Contact Reelcraft for guard, switch and roller brackets.

Also available in standard drive types:

Explosion proof
12VDC
24VDC
115VAC

Pneumatic Motor
Hydraulic Motor
Auxiliary Bevel Crank

Part Number Options 4□1131□□1LC

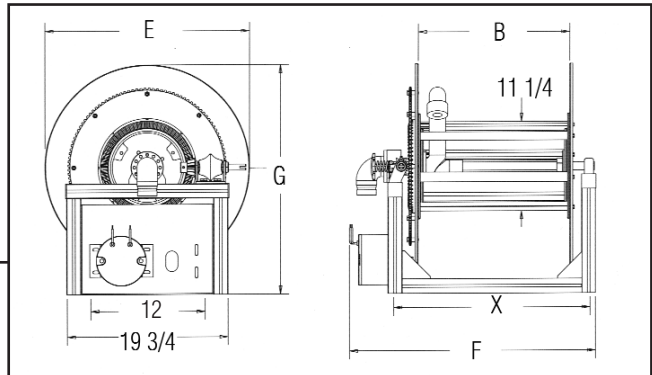
Hose ID:

- 1 = 1" hose
- 2 = 1¼" hose
- 3 = 1½" hose

Drive Type:

- CG = Hand Crank
- BG = Bevel Crank (only)
- DH = 12VDC, Gear Drive
- EH = 12VDC, Chain Drive

Made in USA



SPECIFICATIONS

MODEL	HOSE LENGTH			B	E	F Bevel	F Electric	G	X
	ft / m	ft / m	ft / m						
A4□1131□□1LC	80 24	50 15	— —	13 330	21 533	23 3/4 603	25 3/4 654	24 610	18 3/4 476
A4□2081□□1LC	80 24	50 15	— —	8 203	25 635	17 3/4 451	19 3/4 502	26 660	13 3/4 349
A4□1171□□1LC	100 30	80 24	50 15	17 432	21 533	26 3/4 679	28 3/4 730	24 610	22 3/4 578
A4□2101□□1LC	100 30	80 24	50 15	10 254	25 635	19 3/4 502	21 3/4 552	26 660	15 3/4 400
A4□1321□□1LC	200 61	150 46	100 30	32 813	21 533	41 3/4 1060	43 3/4 1111	24 610	37 3/4 959
A4□2191□□1LC	200 61	150 46	100 30	19 483	25 635	28 3/4 730	30 3/4 781	26 660	24 3/4 629
A4□3131□□1LC	200 61	150 46	100 30	13 330	27 711	26 3/4 679	28 3/4 730	30 762	18 3/4 476
A4□3221□□1LC	325 99	250 76	200 61	22 559	27 711	31 3/4 806	33 3/4 857	29 737	27 3/4 705
A4□4171□□1LC	350 107	275 84	200 61	17 432	31 787	26 3/4 679	28 3/4 730	34 864	22 3/4 578

DIMENSIONS

KEY: Bevel = bevel crank Electric = electric motor

Verify application dimensions and weight requirements prior to ordering.

Installation Note: For the warranty to be valid, a flexible connector MUST be used between the swivel and the inlet piping.

North America: **800-444-3134** China: **(519) 8512 2391**
 Europe: **+44 (0) 1536 406999** Pacific Rim: **+63 (45) 625-6624**
 Latin America: **001-260-489-1685**
reelcraft.com

Reelcraft Industries is
ISO 9001:2000
Certified Since 1996

Models listed with an icon can be shipped same day upon request when the order is received by 11:30 AM local time for quantities of 5 or fewer.

Indiana Warehouse

California Warehouse

Indiana & California Warehouses

Canadian Warehouse

Aluminum
Propane Reel
Series 40



Large Frame Reels Nordic™ Series 3900

Heavy Duty Large Frame Reels Nordic™ Series 3900

1½" Fluid Path for 1" through 1½" I.D. Hose

Rewind: Gear-drive rewind (new) or chain and sprocket drive powered by A.C. or D.C. electric motor, compressed air motor or hydraulic motor.

Inlet: 2" straight victaulic with 1½" female NPT straight swivel joint is standard. 2" victaulic 90° with 1½" NPT female available at extra cost.

Gooseneck: 1", 1¼" and 1½" female/male NPT outlet. Other sizes and/or threads can be furnished and must be specified.

ADD 12" to E dimension when crank is in rewind position.
The standard color for this series is red or gray.

NEW!
Gear drive
option

Shown with optional
bevel crank.

**1/2" pitch chain
now standard**



Standard seals maximum temperature 174° F (79° C) and minimum temperature -20° F (-29° C). Extreme temperature seals maximum temperature 400° F (204° C) and minimum temperature -50° F (-45° C) and standard pressures to 600 PSI. Other temperatures or pressures can be furnished at extra cost, consult manufacturer.

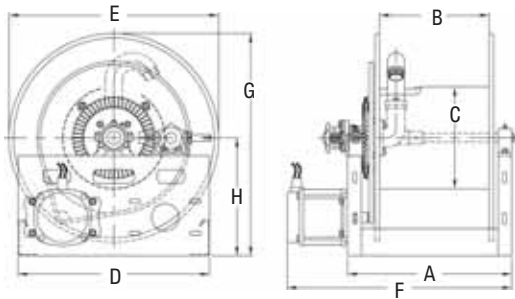
Made in USA

Note: Weights shown in chart are for crank rewind models.

Prefix	Type	LB / KG
EP	Electric	42 / 19
A	Air	26 / 12
H	Hyd	26 / 12

Add these amounts and model number prefix for power rewind models.

DIMENSIONS DIAGRAM



HOSE I.D.	in	1	1 1/4	1 3/8	1 1/2
	mm	25	32	35	38
HOSE O.D.	in	1.563	1.813	2.000	2.063
	mm	40	46	51	52

SPECIFICATIONS - HOSE CAPACITY AND REEL DIMENSIONS

KEY: CRK = hand crank; ELC = electric motor; HYD = hydraulic motor; AIR = air motor; BEVEL = bevel crank

MODEL	HOSE LENGTH (other std. lengths available)				EST. WEIGHT	A	B	C	D	E CRK	E ELC	E AIR	E HYD	F CRK	F ELC	F AIR	F HYD	G	H	
	ft	m	ft	m																
3900-19-16	55	45	45	40	90 LB	in	22	16	11¼	21	21	21	21	22	29	26	28	22½	13	
	17	14	14	12	41 KG	mm	559	406	286	533	533	533	559	533	660	737	660	711	572	330
3900-19-20	70	65	60	55	93 LB	in	26	20	11¼	21	21	21	22	21	30	33	30	32	22½	13
	21	20	18	17	42 KG	mm	660	508	286	533	533	533	559	533	762	838	762	813	572	330
3900-23-12	95	60	55	50	87 LB	in	18	12	11¼	21	23	23	24	23	22	25	22	24	24½	13
	29	18	17	15	39 KG	mm	457	305	286	533	584	584	610	584	559	635	559	610	622	330
3900-23-18	155	90	90	80	93 LB	in	24	18	11¼	21	23	23	24	23	28	31	28	30	24½	13
	47	27	27	24	42 KG	mm	610	457	286	533	584	584	610	584	711	787	711	762	622	330
3900-23-20	165	105	100	95	95 LB	in	26	20	11¼	21	23	23	24	23	30	33	30	32	24½	13
	50	32	30	29	42 KG	mm	660	508	286	533	584	584	610	584	762	838	762	813	622	330
3900-23-26	220	120	110	105	100 LB	in	32	26	11¼	21	23	23	24	23	36	39	36	38	24½	13
	67	37	34	32	45 KG	mm	813	660	286	533	584	584	610	584	914	991	914	965	622	330
3900-23-28	240	145	140	135	103 LB	in	34	28	11¼	21	23	23	24	23	38	41	38	40	24½	13
	73	44	43	41	47 KG	mm	864	711	286	533	584	584	610	584	965	1041	965	1016	622	330
3900-23-36	320	190	180	175	111 LB	in	42	36	11¼	21	23	23	24	23	46	49	46	48	24½	13
	98	58	55	53	50 KG	mm	1067	914	286	533	584	584	610	584	1168	1245	1168	1219	622	330
3900-25-12	95	85	55	50	89 LB	in	18	12	11¼	21	25	25	25	25	22	25	22	24	26½	14
	29	26	17	15	40 KG	mm	457	305	286	533	635	635	635	635	559	635	559	610	673	356
3900-25-20	165	155	100	95	97 LB	in	26	20	11¼	21	25	25	25	30	33	30	32	26½	14	
	50	47	30	29	44 KG	mm	660	508	286	533	635	635	635	635	762	838	762	813	673	356
3900-31-12	210	155	115	105	92 LB	in	18	12	11¼	24	31	31	31	22	25	22	24	32½	17	
	64	47	35	32	42 KG	mm	457	305	286	610	787	787	787	787	559	635	559	610	826	432
3900-31-16	305	205	155	150	96 LB	in	22	16	11¼	24	31	31	31	26	29	26	28	32½	17	
	93	62	47	46	44 KG	mm	559	406	286	610	787	787	787	787	660	737	660	711	826	432
3900-31-20	365	275	200	190	100 LB	in	26	20	11¼	24	31	31	31	30	33	30	32	32½	17	
	111	84	61	58	45 KG	mm	660	508	286	610	787	787	787	762	838	762	813	826	432	

Refer to page 26 to build a complete model number.

North America: **800-444-3134** China: **(519) 8512 2391**
 Europe: **+44 (0) 1536 406999** Pacific Rim: **+63 (45) 625-6624**
 Latin America: **001-260-489-1685**
reelcraft.com



Heavy Duty Large Frame Reels Nordic™ Series 3900 LPG

1½" or 2" Fluid Path for 1" through 2" I.D. Hose

Rewind: Gear-drive or chain and sprocket drive powered by explosion proof A.C. or D.C. electric motor, compressed air motor or hydraulic motor.

Inlet: Full Circle® UL approved swivels available in 1", 1½" and 2" as standard.

Hose Boss™ (optional accessory)

The Hose Boss™ Rewind Assist consists of a rewind switch mounted in an extended arm with two hose rollers. Assists in efficiently and safely unwinding and rewinding hose.

Now available in polished aluminum



Nordic Series 3900 LPG



Inset: Nordic™ Series 3900 LPG with optional Hose Boss™

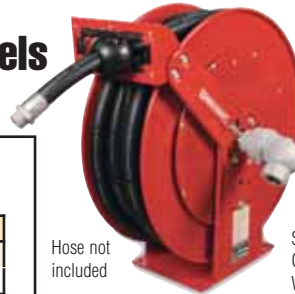
Heavy Duty Spring Retractable Reels Series 80000/D80000 - ½", ¾", 1" I.D.

OPTIONS

Choose a reel model from the chart below, then use the suffix codes below to choose a flange/ end plate material.

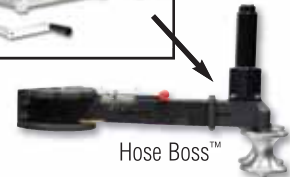
LP82000 OL□

Flange/End Plate Material	
S	Stainless Steel
P	Carbon Steel



Hose not included

Series 80000 Carbon steel With Full Circle® swivel



Hose Boss™

Made in USA

SPECIFICATIONS - Refer to chart on page 11 for dimensions.

MODEL	HOSE I.D.		HOSE O.D.		CAPACITY		PRESSURE		WEIGHT		A		B		D		E		F		
	in	mm	in	mm	ft	m	psi	bar	lbs	kg	in	mm	in	mm	in	mm	in	mm	in	mm	
SERIES 80000 / D80000: SPRING DRIVEN REELS																					
LP82000 OL□*	1/2	13	.845	21	100	30	300	21	82	37	24	610	25 3/8	645	15	381	10	254	6	152	
LP83000 OL□*	3/4	19	1.188	30	50	15	500	35	82	37	24	610	25 3/8	645	15	381	10	254	6	152	
LPD83000 OL□*	3/4	19	1.188	30	75	23	500	35	77	35	24	610	25 3/8	645	16 3/8	416	10 1/2	267	7 7/8	200	
LPD84000 OL□*	1	25	1.500	38	50	15	500	35	77	35	24	610	25 3/8	645	16 3/8	416	10 1/2	267	7 7/8	200	

*Choose drive type and flange/end plate material from charts above. Refer to page 11 for dimension chart.

HOSE I.D.	in	1	1 1/4	1 1/2	2
	mm	25	32	38	51
HOSE O.D.	in	1.563	1.813	2.063	2.563
	mm	46	46	52	65

SPECIFICATIONS - HOSE CAPACITY AND REEL DIMENSIONS Refer to chart on page 29 for Series 3900 LPG dimensions.

MODEL	HOSE LENGTH				Est. Weight		A	B	C	D	E	F	G	H
	ft	m	ft	m										
3900-19-20*	ft	75	70	55	103 LB	in	26	20	11.25	21	21	33	22.5	13
	m	23	21	17	47 KG	mm	660	508	286	533	533	838	572	330
3900-23-16*	ft	125	90	75	100 LB	in	22	16	11.25	21	23	29	24.5	13
	m	38	27	23	45 KG	mm	559	406	286	533	584	737	622	330
3900-23-20*	ft	160	125	100	105 LB	in	26	20	11.25	21	23	33	24.5	13
	m	49	38	30	48 KG	mm	660	508	286	533	584	838	622	330
3900-23-24*	ft	200	150	125	110 LB	in	30	24	11.25	21	23	37	24.5	13
	m	61	46	38	50 KG	mm	762	610	286	533	584	940	622	330
3900-25-14*	ft	150	100	65	102 LB	in	20	14	11.25	21	25	27	26.5	14
	m	46	30	20	46 KG	mm	508	356	286	533	635	686	673	356
3900-25-18*	ft	200	150	80	105 LB	in	24	18	11.25	21	25	31	26.5	14
	m	61	46	24	48 KG	mm	610	457	286	533	635	787	673	356
3900-23-26*	ft			90	112 LB	in	32	26	15	21	23	39	24.5	13
	m			27	51 LG	mm	813	660	381	533	584	991	622	330
3900-31-12*	ft			90	102 LB	in	18	12	15	24	31	25	32.5	17
	m			27	46 KG	mm	457	305	381	610	787	635	826	432
3900-31-22*	ft			185	115 LB	in	28	22	15	24	31	35	32.5	17
	m			56	52 KG	mm	711	559	381	610	787	889	826	432

*Refer to page 26 to build a complete model number including LPG swivel. Refer to charts on page 11 and 29 for dimensions.

North America: **800-444-3134** China: **(519) 8512 2391**
 Europe: **+44 (0) 1536 406999** Pacific Rim: **+63 (45) 625-6624**
reelcraft.com Latin America: **001-260-489-1685**

Reelcraft Industries is
ISO 9001:2000
Certified Since 1996

Models listed with an icon can be shipped same day upon request when the order is received by 11:30 AM local time for quantities of 5 or fewer.

Indiana Warehouse California Warehouse
 Indiana & California Warehouses Canadian Warehouse



Nordric Series 5900

Large Frame Reels

Nordic™ Series 3700 and 5900

Heavy Duty Large Frame Reels

Nordic™ Series 3700 & 5900

2", 3" or 4" Fluid Path for 1½" through 4" I.D. Hose

Rewind: Gear-drive crank rewind or chain and sprocket drive powered by A.C. or D.C. electric motor, compressed air motor or hydraulic motor.

Inlet: 2" (Series 3700) / 3" (Series 5900) straight victaulic is standard. 4" (Series 5900) 90° victaulic and 24" diameter drum is standard. 90° victaulic swivel joint available at extra cost.

Gooseneck: 2" (Series 3700) / 3" (Series 5900) / 4" (Series 5900) female NPT. Other sizes and/or threads can be furnished and must be specified.

Series 5900 product temperatures from -50° F to +400° F and standard pressures to 300 p.s.i. Series 3700 standard seals maximum temperature 174° F (79° C) and minimum temperature -20° F (-29° C). Extreme temperature seals maximum temperature 400° F (204° C) and minimum temperature -50° F (-45° C).

Series 3700 and 5900 are shown with optional bevel crank.



Nordic Series 3700



Nordic Series 5900

1/2" pitch chain now standard

Standard pressures to 300 PSI. Other temperatures or pressures can be furnished at extra cost, consult manufacturer. The standard color for this series is red or gray. ADD 12" to E dimension when crank is in rewind position.

Made in USA

HOSE I.D.	in	1 1/2	2	2 1/2	3	4
		mm	38	51	64	76
HOSE O.D.	in	2.063	2.563	3.188	3.75	4.75
		mm	52	65	81	95

SPECIFICATIONS - HOSE CAPACITY AND REEL DIMENSIONS

Refer to diagram on page 29 for dimension key.

KEY: CRK = hand crank; ELC = electric motor; HYD = hydraulic motor; AIR = air motor

MODEL	HOSE LENGTH				EST. WEIGHT		A	B	C	D	E CRK	E ELC	E AIR	E HYD	F CRK	F ELC	F AIR	F HYD	G	H
	ft	m	ft	m																
3700-23-20	65	25			114 LB	in	26	20	15	21	23	23	24	23	30	33	30	32	24½	13
	20	8			52 KG	mm	660	508	381	533	584	584	610	584	762	838	762	813	622	330
3700-25-20	65	55			124 LB	in	26	20	15	21	25	25	25	25	30	33	30	32	26½	14
	20	17			56 KG	mm	660	508	381	533	635	635	635	635	762	838	762	813	673	356
3700-25-24	80	65			128 LB	in	30	24	15	21	25	25	25	25	34	37	34	36	26½	14
	24	20			58 KG	mm	762	610	381	533	635	635	635	635	864	940	864	914	673	356
3700-25-32	115	90			136 LB	in	38	32	15	21	25	25	25	25	42	45	42	44	26½	14
	35	27			62 KG	mm	965	813	381	533	635	635	635	635	1067	1143	1067	1118	673	356
3700-31-12	90	50			134 LB	in	18	12	15	24	31	31	31	31	22	25	22	24	32½	17
	27	15			61 KG	mm	457	305	381	610	787	787	787	787	559	635	559	610	826	432
3700-31-20	165	90			142 LB	in	26	20	15	24	31	31	31	31	30	33	30	32	32½	17
	50	27			64 KG	mm	660	508	381	610	787	787	787	787	762	838	762	813	826	432
3700-31-26	220	125			148 LB	in	32	26	15	24	31	31	31	31	36	39	36	38	32½	17
	67	38			67 KG	mm	813	660	381	610	787	787	787	787	914	991	914	965	826	432
3700-39-16	225	140			182 LB	in	22	16	15	24	39	39	39	39	26	29	26	28	40½	21
	69	43			83 KG	mm	559	406	381	610	991	991	991	991	660	737	660	711	1029	533
3700-39-24	350	220			190 LB	in	30	24	15	24	39	39	39	39	34	37	34	36	40½	21
	107	67			86 KG	mm	762	610	381	610	991	991	991	991	864	940	864	914	1029	533
5900-31-16	55	20	15		140 LB	in	22	16	20	24	31	31	31	31	26	29	26	28	32.5	17
	17	6	5		64 KG	mm	559	406	508	610	787	787	787	787	660	737	660	711	826	432
5900-31-24	85	30	25		150 LB	in	30	24	20	24	31	31	31	31	34	37	34	36	32.5	17
	26	9	8		68 KG	mm	762	610	508	610	787	787	787	787	864	940	864	914	826	432
5900-31-32	120	45	35		160 LB	in	38	32	20	24	31	31	31	31	42	45	42	44	32.5	17
	37	14	11		73 KG	mm	965	813	508	610	787	787	787	787	1067	1143	1067	1118	826	432
5900-36-12	60	30	30		146 LB	in	18	12	20	24	36	36	36	36	22	25	22	24	39	21
	18	9	9		66 KG	mm	457	305	508	610	914	914	914	914	559	635	559	610	991	533
5900-36-16	90	50	40	12	150 LB	in	22	16	20	24	36	36	36	36	26	29	26	28	39	21
	27	15	12	4	68 KG	mm	559	406	508	610	914	914	914	914	660	737	660	711	991	533
5900-39-12	90	50	35	15	180 LB	in	18	12	20	24	39	39	39	39	22	25	22	24	40.5	21
	27	15	11	5	82 KG	mm	457	305	508	610	991	991	991	991	559	635	559	610	1029	533
5900-39-16	135	80	50	15	200 LB	in	22	16	20	24	39	39	39	39	26	29	26	28	40.5	21
	41	24	15	5	91 KG	mm	559	406	508	610	991	991	991	991	660	737	660	711	1029	533
5900-39-24	200	120	65	25	210 LB	in	30	24	20	24	39	39	39	39	34	37	34	36	40.5	21
	61	37	20	8	95 KG	mm	762	610	508	610	991	991	991	991	864	940	864	914	1029	533

Refer to page 26 to build a complete model number. Refer to diagram on page 29 for dimension key.

North America: **800-444-3134** China: **(519) 8512 2391**
 Europe: **+44 (0) 1536 406999** Pacific Rim: **+63 (45) 625-6624**
reelcraft.com Latin America: **001-260-489-1685**



Heavy Duty Large Frame Reels Petroleum Service

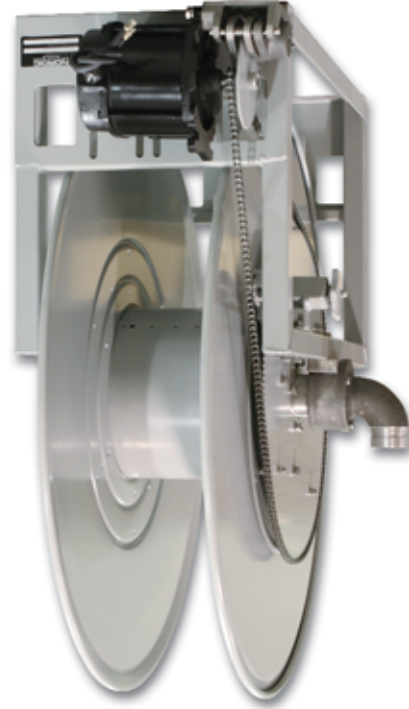
1½" or 2" Fluid Path for 1¼" through 2" I.D. Hose

Rewind: Chain and sprocket drive powered by A.C. or D.C. electric motor, compressed air motor or hydraulic motor. 30° manual rewind assembly.

Inlet: 90° 2" victaulic is standard. Straight swivel joints may be specified at no extra cost.

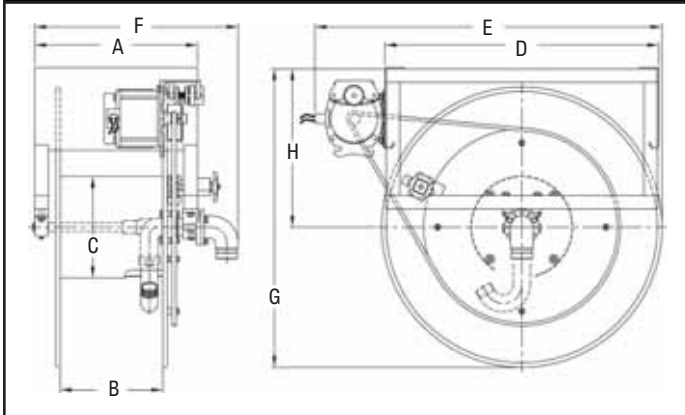
Gooseneck: 1¼", 1½" or 2" female/male NPT is available. Specify male or female fitting and hose size when ordering.

Brakes and locks: Manual friction brake is standard. Air operated caliper brake is available at extra cost.



Made in USA

DIMENSIONS DIAGRAM



Standard seals maximum temperature 174° F (79° C) and minimum temperature -20° F (-29° C). Extreme temperature seals maximum temperature 400° F (204° C) and minimum temperature -50° F (-45° C). Standard pressures to 300 PSI. Other temperatures or pressures can be furnished at extra cost; consult manufacturer. The standard color for this series is red or gray.

HOSE I.D.		in	1 1/4	1 3/8	1 1/2	2	SPECIFICATIONS - HOSE CAPACITY AND REEL DIMENSIONS									
HOSE O.D.		mm	32	35	38	51										
		in	1.813	2.000	2.063	2.563										
		mm	46	51	52	65										
MODEL	HOSE LENGTH					EST. WEIGHT	A	B	C	D	E	F	G	H		
3800-31-10	ft	130	90	80		174 LB	in	16	10	11.25	30	38.5	20.25	33	17.5	
	m	40	27	24		79 KG	mm	406	254	286	762	978	514	838	445	
3800-31-12	ft	155	115	105		176 LB	in	18	12	11.25	30	38.5	22.25	33	17.5	
	m	47	35	32		80 KG	mm	457	305	286	762	978	565	838	445	
3800-31-16	ft	205	155	150		180 LB	in	22	16	11.25	30	38.5	26.25	33	17.5	
	m	62	47	46		82 KG	mm	559	406	286	762	978	667	838	445	
3800-39-7	ft	120	100	85		212 LB	in	13	17	11.25	32	43.5	17.25	41	21.5	
	m	37	30	26		96 KG	mm	330	432	286	813	1105	438	1041	546	
3800-39-9	ft	150	135	120		214 LB	in	15	9	11.25	32	43.5	19.25	41	21.5	
	m	46	41	37		97 KG	mm	381	229	286	813	1105	489	1041	546	
3800-39-11	ft	220	170	155		216 LB	in	17	11	11.25	32	43.5	21.25	41	21.5	
	m	67	52	47		98 KG	mm	432	279	286	813	1105	540	1041	546	
3800-31-13	ft	120	110	105	60	178 LB	in	19	13	15	30	38.5	24.5	33	17.5	
	m	37	34	32	18	81 KG	mm	483	330	381	762	978	622	838	445	
3800-39-12	ft	225	180	160	105	218 LB	in	18	12	15	32	43.5	23.5	41	21.5	
	m	69	55	49	32	99 KG	mm	457	305	381	813	1105	597	1041	546	
3800-39-16	ft	305	245	225	150	224 LB	in	22	16	15	32	43.5	27.5	41	21.5	
	m	93	75	69	46	102 KG	mm	559	406	381	813	1105	699	1041	546	

Refer to page 26 to build a complete model number.

Heavy Duty Single Wrap Reels Petroleum / Aviation Fuel Service

1½", 2" or 3" Fluid Path for 1" through 3" I.D. Hose

Rewind: Chain and sprocket drive powered by A.C. or D.C. electric motor, compressed air motor or hydraulic motor.

Inlet: 2" victaulic is standard for 1" through 2" ID hose. 3" victaulic is standard for 2½" and 3" ID hose. 1½", 2" and 3" NPT or BSPP available. 90° Inlets available at no extra cost.

Gooseneck: 1½", 2" and 3" NPT or BSPP. Specify male or female threads for gooseneck.

Brakes and locks: Air operated caliper brake and idler assembly is standard. Manual friction brake optional.

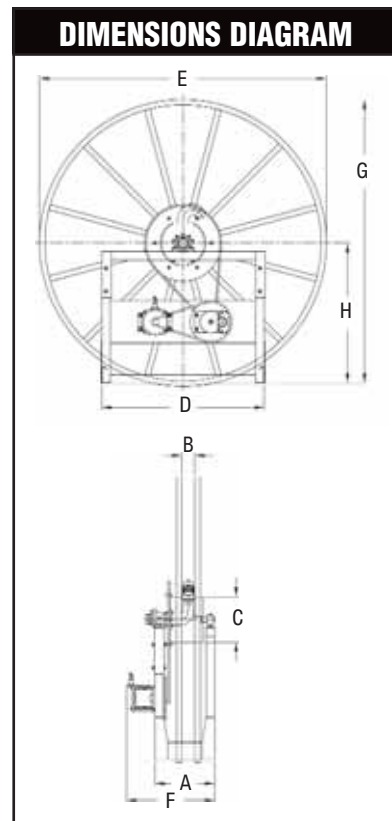
Materials: Standard frame and spool assembly are of heavy duty steel construction. Also available in aluminum. The standard color for this series is red or gray.

Operating pressure: 300 PSI maximum. Reels to operate at other pressure ratings available at extra cost. Consult manufacturer.

Operating temperatures: Maximum 400°F (204°C) / minimum -40°F (-40°C). Reels that are to operate at other temperatures ratings are available at extra cost, consult manufacturer.



Made in USA



HOSE I.D.	in	1 3/8	1 1/2	2	2 1/2	3
	mm	35	38	51	64	76
HOSE O.D.	in	2.000	2.063	2.563	3.063	3.750
	mm	51	52	65	81	95

*Drum diameter confirms to API 1529 Appendix A.

MODEL	HOSE LENGTH						DIMENSIONS				
							D	E	G	H	
6000-47	ft	55	50	30	25	20	in	38.5	47	48.5	25
	m	17	15	9	8	6	mm	978	1194	1232	635
6000-55	ft	80	75	50	40	35	in	38.5	55	55.75	28.25
	m	24	23	15	12	11	mm	978	1397	1416	718
6000-62	ft	100	100	70	50	50	in	38.5	62	62.75	31.75
	m	30	30	21	15	15	mm	978	1575	1594	806
6000-68	ft	125	120	85	70	60	in	38.5	68	68.75	34.75
	m	38	37	26	21	18	mm	978	1727	1746	883
6000-72	ft	150	140	100	80	70	in	38.5	72	72.75	36.75
	m	46	43	30	24	21	mm	978	1829	1848	933

DIMENSIONS									
Hose I.D.	Drum* Width	A		B		C		F	
		in	mm	in	mm	in	mm	in	mm
1 3/8"	2.5"	12	305	2.5	64	18	457	18.5	470
1 1/2"	2.5"	12	305	2.5	64	18	457	18.5	470
2"	3.5"	12	305	3.5	89	24	610	18.5	470
2 1/2"	3.5"	13	330	3.5	89	24	610	19.5	495
3"	4.5"	14	356	4.5	114	24	610	20.5	521

Refer to page 26 to build a complete model number.



Light/Medium Duty Cord Reels

ALL NEW!

Reelcraft's new line of light and medium duty cord reels are designed for less strenuous applications in which a capable and long-lasting reel is required. The reels accommodate lengths of 16/3, 14/3, 12/3, and 10/3 diameter cable.

Series LD Cord Reels

Designed to provide moderate lengths of cable for lighter industrial applications, light duty Series LD reels feature a powder coated steel housing, adjustable cable stop and a circuit breaker that can be reset. Ideally suited to be mounted overhead, the reels are compact and require little space.

LIGHT DUTY CORD REELS

MODEL (with cable)	CORD ENDING	CORD SPECIFICATIONS				VOLTS	AMPS	WGT. lbs / kg
		AWG / mm	No. Cond.	Length ft / m	Type			
LD2040 163 2*	Style 2	16 1.33	3	40 12	SJTW	120	0.3	9 4
LD2030 163 9	Style 9	16 1.33	3	30 9	SJTW	125	10	9 4
LD2030 143 9	Style 9	14 2.08	3	30 9	SJTW	125	13	10 5

Designed for ceiling mount. *Requires a minimum of five feet hanging cable (outside reel).
L x W x H = 9.75" x 4" x 11.5"

Series LG Cord Reels

Delivering longer lengths of heavier gauge cord, medium duty Series LG cord reels are constructed from high-impact resistant composite materials to be lighter and compact. The unique design allows them to be mounted overhead, on a wall or detached from their mounting bracket, making them completely portable. They also feature an adjustable cable stop and a circuit breaker that can be reset.

MEDIUM DUTY INDUSTRIAL CORD REELS

MODEL (with cable)	CORD ENDING	CORD SPECIFICATIONS				VOLTS	AMPS	WGT. lbs / kg
		AWG / mm	No. Cond.	Length ft / m	Type			
LG3050 163 8*	Style 8	16 1.33	3	50 15	SJTW	120	10	15 7
LG3050 143 9	Style 9	14 2.08	3	50 15	SJTW	125	13	15 7
LG3040 123 9	Style 9	12 3.32	3	40 12	SJTW	125	15	15 7

*Requires a minimum of five feet hanging cable (outside reel). L x W x H = 11.5" x 5" x 15.25"

Series LH Hand Crank Reels

Designed with the contractor in mind, Series LH medium duty hand crank reels are completely portable and deliver power where and when it is necessary. Four circuit breaker protected outlets are built into the reel itself. Steel components are powder-coated for maximum corrosion resistance.

MEDIUM DUTY HAND CRANK REELS

MODEL (with cable)	CORD ENDING	CORD SPECIFICATIONS				VOLTS	AMPS	WGT. lbs / kg
		AWG / mm	No. Cond.	Length ft / m	Type			
LH2080 143	4 Outlets	14 2.08	3	80 24	SJTW	125	10	13 6
LH3100*	4 Outlets	10 5.37	3	100 30	STW	125	15	7 3

*Does not include cable

Note: products on this page are warranted for 90 days.

CORD OPTIONS



Style #2
13 watt fluorescent light features a durable shock-resistant lamp holder and shatter-resistant tube with switch.

Style #8

13 watt fluorescent light features an on/off switch on the handle and an outlet.



NEW!



Style #9
Triple outlet with grounded receptacles. For maximum ratings, consult manufacturer.



UL LISTED



▽ Light duty
LD2040 163 2



△ Light duty
LD2030 143 9



Light duty
LD2030 163 9



UL LISTED



Medium duty
LG3050 163 8

△ Medium duty
LG3050 143 9

NEW!



△ Medium duty
LH3100

NEW!



△ Portable power
LH2080 143



UL LISTED



Indiana Warehouse



California Warehouse



Indiana & California
Warehouses



Canadian Warehouse



Power and Light Cord Reels Series L4000 and L5000

Better by Design™

Adjustable Bumper Stop

Allows any desired length of cord to be maintained outside the reel.

Corrosion-Resistant

Steel components are individually powder coated to virtually eliminate corrosion.

Reelcraft offers eight styles of outlets and lamps

- Single receptacle
- Duplex outlet box w/ GFCI (F) - 2 styles available
- R.V. plug
- Fluorescent - 2 styles available
- Incandescent - 2 styles available

Easy to Mount

Attaches to most structurally sound surfaces. Edges are curved for safety.

Note: Swing brackets should be used if cords are pulled at more than 45°, see page 45.



Adjustable Guide Arm

Multiple guide arm positions for versatile uses and easier field adjustment.

Enclosed Drive Spring

Drive mechanism is enclosed for protection against the environment.

Long Life Drive Spring

Declutching arbor virtually eliminates possibility of spring damage due to reverse winding of reel spool.

Structural Strength

Robotically welded heavy gauge steel frame.

Model Number Significance

This chart is for reference purposes only. Reels cannot be ordered by selecting from this chart. Please refer to selection charts on pages 36-37 or consult manufacturer for any questions about option combinations.

BUMPER ASSEMBLIES FOR CORD REELS					
PART NUMBER	OUTSIDE DIA. OF CORD	CORD SPECIFICATIONS			
		AWG / mm ²	# Cond.	Type	
600193	.320" - .530"	16	1.33	3	SJO
1-HR1004-A	.438" - .624"	12	3.32	3	SJO
600267	.645"	10	5.37	3	SO
1-HR1004	.625" - .749"	12	3.32	3	SO
3-HR1004-3	1.06" - 1.30"	6	8.00	3	SO

SERIES L4000 and L5000 CORD REELS

FOR REFERENCE ONLY

L 40501633

REEL SERIES

40 = 4000 SERIES REEL
45 = 4500 SERIES REEL
55 = 5500 SERIES REEL
57 = 5700 SERIES REEL

WIRE SIZE

10 = 10 GAUGE
12 = 12 GAUGE
16 = 16 GAUGE

LENGTH OF CORD

00 = W/O CORD
35 = 35 FEET
45 = 45 FEET
50 = 50 FEET

NO. OF CONDUCTORS

2 = TWO CONDUCTOR
3 = THREE CONDUCTOR

STYLE NUMBERS

NONE. OPEN END
1 = INCANDESCENT LAMP
2 = FLUORESCENT LAMP
3 = SINGLE RECEPTACLE
4 = R.V. PLUG (M)
5 = INCANDESCENT NON-SPARKING
6x = FLUORESCENT EXPLOSION PROOF
7 = DUPLEX OUTLET BOX (F) W/GFCI
8 = FLUORESCENT W/OUTLET
X = FLYING LEAD



UL LISTED

North America: **800-444-3134** China: **(519) 8512 2391**
Europe: **+44 (0) 1536 406999** Pacific Rim: **+63 (45) 625-6624**
Latin America: **001-260-489-1685**
reelcraft.com



Power Source Style Options

New

Style X

Bare cord/cable endings and conduit box.

Style #3

Single 15 AMP receptacle with clamp type strain relief.

Style #3A

Single 20 AMP receptacle.

Improved

Two Options: #600209

Cord size - 16 AWG

#600251

Cord size - 12 AWG

Style #3B

Single 20 AMP receptacle with twist lock connector.

 UL LISTED

Style #4

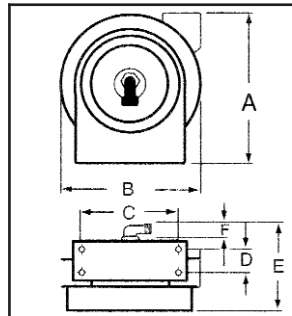
Male rubber plug used with recreational vehicles (RV's).

Style #7 and 7A

Dual outlet box with GFCI protection and flip-top lid.

The GFCI Receptacle is designed to protect people from the line-to-ground shock hazards, which could occur from defective power tools or appliances operating from this device or from down line outlets protected by it. The Ground Fault Circuit Interrupter does not protect against short circuits or overloads; this is the function of the fuse or circuit breaker.

- ✓ Spring retractable with latch
- ✓ Compact for critical space requirements
- ✓ Durable abrasion and corrosion resistant baked-on powder coat finish
- ✓ Wall, ceiling or bench mount
- ✓ Engineered for industrial use
- ✓ All models supplied with cord are complete with approximately 4-5 foot pigtail and three-prong plug
- ✓ Adjustable cord stop



Series 4000 and 5000 models have four 5/16" diameter mounting holes. Series L5700 "E" dimension is 12 1/2".

DIMENSIONS

	L4000 L4500		L5000 L5400		L5500 L5700	
	in	mm	in	mm	in	mm
A	13 1/4	337	14 1/2	368	17 1/2	445
B	12 3/8	321	13 3/4	349	16 1/2	419
C	8	203	9 3/4	248	9 3/4	248
D	2 1/2	64	2 1/2	64	2 1/2	64
E	9 3/8	239	12 1/2	318	12 1/2*	318
F	1 3/4	44	2 1/8	54	2 1/8	54

*Series L5700 "E" dimension is 12.5"

Made in USA

 UL LISTED

Heavy duty single receptacle
L 4050 163 3

Improved

Heavy duty GFCI duplex outlet box
L 4545 123 7

New Heavy duty flying lead
L 4050 163 X

POWER CORD & CABLE REEL SELECTION CHART For indoor non-weather tight applications only

MODEL	ACCESSORY	CORD SPECIFICATIONS				VOLTS*	AMPS	WEIGHT	
		AWG / mm ²	No. Cond.	Length ft / m	Type			lbs	kg
L 4035 163 3	Single Receptacle	16 1.33	3	35 11	SJTOW	125	13	22	10
L 4050 163 3	Single Receptacle	16 1.33	3	50 15	SJTOW	125	13	26	12
L 4545 123 3	Single Receptacle	12 3.32	3	45 14	SJEOW	125	15	28	13
L 5550 123 3	Single Receptacle	12 3.32	3	50 15	SJEOW	125	15	47	21
L 4545 123 3A	Single Connector	12 3.32	3	45 14	SJEOW	125	20	29	13
L 4545 123 3B	Twist Lock Connector	12 3.32	3	45 14	SJEOW	125	20	29	13
L 5750 103 4	R.V. Plug	10 5.37	3	50 15	SO	125	30	50	23
L 4545 123 7A	Duplex Outlet Box w/GFCI (F)	12 3.32	3	45 14	SJEOW	125	20	28	13
L 4545 123 7	Duplex Outlet Box w/GFCI (F)	12 3.32	3	45 14	SJEOW	125	**15	29	13
L 5550 123 7	Duplex Outlet Box w/GFCI (F)	12 3.32	3	50 15	SO	125	**20	47	21

*All models UL listed at 125 Volt 60 HZ single phase. Base power cord reels without cord ends are suitable for 220V.

Inlet plug is NEMA5-15P configuration. Plug ends not set up for 20 amp. **NOTE: Swing brackets should be used if cords are pulled at more than 45°, see page 45.

POWER CORD & CABLE REEL SELECTION CHART For indoor non-weather tight applications only

MODEL FLYING LEAD	MODEL NO CORD	REEL CAPABILITIES				VOLTS	AMPS	WEIGHT*	
		AWG / mm ²	No. Cond.	Length ft / m	Type			lbs	kg
L 4050 163 X	L 4000	16 1.33	3	50 15	SJO	125	13	22	10
-----	L 4100	16 1.33	4	40 12	SJO	125	13	22	10
L 4545 123 X	L 4500	12 3.32	3	45 14	SJO	125	20	21	10
-----	L 5000	10 5.27	3	35 11	SO	125	30	29	13
-----	L 5400	12 3.32	3	35 11	SO	125	13	25	11
L 5550 123 X	L 5500	12 3.32	3	50 15	STOW	125	20	34	15
L 5750 103 X	L 5700	10 5.27	3	50 15	SO	125	30	37	17
-----	L 7000	6 13.3	4	35 11	SO	220	45	41	19




All models listed at 125 Volt 60 HZ single phase; suitable for 220 V. For indoor use only. *Without cord.

North America: **800-444-3134** China: **(519) 8512 2391**
 Europe: **+44 (0) 1536 406999** Pacific Rim: **+63 (45) 625-6624**
 Latin America: **001-260-489-1685**

reelcraft.com

Reelcraft Industries is
ISO 9001:2000
Certified Since 1996

Models listed with an icon can be shipped same day upon request when the order is received by 11:30 AM local time for quantities of 5 or fewer.

 Indiana Warehouse
 Indiana & California Warehouses
 California Warehouse
 Canadian Warehouse



Series L5000

Power and Light Cord Reels Series L4000 and L5000

Light Style Options

Fluorescent Light Style #2

- Durable shock absorbing lamp holder
- Shatter-resistant tube with switch



Style #8 ▲

- 120v-15amp receptacle is located in line on cord
- Scratch guard protects lamp cover
- **Hand lamp only, order model 1 163 3 8**
 - One foot #16/3 conductor SJTOW-A yellow cord with molded NEMA 5-15P plug
 - SAF-T-TIE keeps the light plugged into receptacle

▼ Style #6

- Explosion Proof 13 watt fluorescent hand lamp
 - Automatic on/off switch at reel guide arm
 - Suitable for Class 1, group C and D locations
- Note: Reel is not explosion-proof.



Incandescent Lights

◀ Style #5

- Rubber handle with vinyl-coated cage
- W/O switch or receptacle
- Automatic on/off switch at reel guide arm
- Complies with NEC #511-3.f., portable lighting equipment.
- Meets OSHA requirements.



▲ Style #1

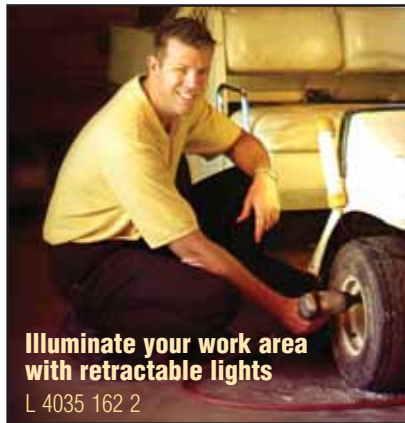
- Single receptacle tool tap
- Push-through switch
- Metal grounded guard.



Heavy duty
L 4050 163 1

Five retractable light cord options

Illuminate your work area with incandescent, fluorescent or explosion-proof hand lamps



Illuminate your work area with retractable lights

L 4035 162 2

Auto-Switch Light Cord Reels

Models equipped with an automatic on/off switch incorporate a guide arm-mounted switch that activates power with a pull of the cord.



Heavy duty
L 5245 A 163 6X

Made in USA

Note: Reel is not explosion proof

LIGHT CORD REEL SELECTION CHART For indoor non-weather tight applications only

MODEL	ACCESSORY	CORD SPECIFICATIONS				VOLTS *	AMPS	WEIGHT	
		AWG / mm ²	No. Cond.	Length ft / m	Type			lbs / kg	
L 4035 163 1	*Incandescent	16 1.33	3	35 11	SJTOW	125	13	22	10
L 4050 163 1	*Incandescent	16 1.33	3	50 15	SJTOW	125	13	23	10
L 4035 A163 5**	*Incandescent	16 1.33	3	35 11	SJEOW	125	13	25	11
L 5245 A163 6X**	Fluorescent	16 1.33	3	45 14	SJEOW	125	0.3	32	15
L 4035 162 2	Fluorescent	16 1.33	2	35 11	SJTOW	125	0.3	23	10
L 4050 162 2	Fluorescent	16 1.33	2	50 15	SJTOW	125	0.3	24	11
L 4035 163 8	Fluorescent Light and Outlet	16 1.33	3	35 11	SJTO	125	10	26	12
L 4050 163 8	Fluorescent Light and Outlet	16 1.33	3	50 15	SJTO	125	10	27	12

*Incandescent bulb 75 watt max. All models UL listed at 125 Volt 60 HZ single phase. Base power cord reels without cord ends are suitable for 220 V. For indoor use only. See accessories page for optional mounting brackets and bases. **Models are equipped with automatic on/off switch that activates power. **NOTE:** Swing brackets should be used if cords are pulled at more than 45°, see page 45.



Heavy duty
L 4035 162 2

North America: **800-444-3134** China: **(519) 8512 2391**
 Europe: **+44 (0) 1536 406999** Pacific Rim: **+63 (45) 625-6624**
 Latin America: **001-260-489-1685**
reelcraft.com



High Capacity Cable Reels

Nordic™ Series CR2400/CR3100/CR4800

for 3-conductor service

Rewind: Direct crank rewind or chain and sprocket drive powered by A.C. or D.C. electric motor or compressed air motor.

Series CR2400 - an adjustable spring drag device is used to brake the reel.

Series CR3100/CR4800 - powered by a rugged spring protected by a tamperproof housing, a ratchet mechanism locks on payout of cable, but is easily disengaged with a pull to provide rewind.

Cable rollers: All models supplied with a 4-way roller guide assembly. Roller position must be specified. If not specified, bottom wind will be supplied. Can be supplied or installed. Consult manufacturer.

Cable stop: A hose/cable stop should be used to prevent damage to rollers and to permit adjustment of free cable length.

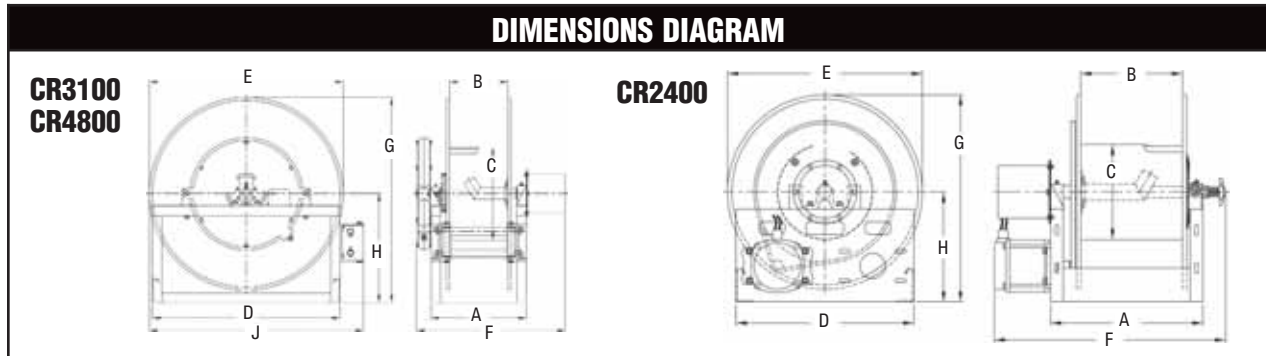


Nordic Series CR4800

Many more sizes, from standard components, available on request. Consult manufacturer.

Made in USA

DIMENSIONS DIAGRAM



MODEL NO.	Gauge / No. of Conductors								SPECIFICATIONS - HOSE CAPACITY AND REEL DIMENSIONS													
	16/3	14/3	12/3	10/3	8/3	Cable O.D. in Inches and Millimeters																
	in	.375	.530	.580	.705	.750	1.000	1.250	1.500	"F" dimension based on three conductor slip ring. Refer to numbering system on page 26 for complete part numbers.												
mm	10	13	15	18	19	25	32	38	EST. WEIGHT Less Motor	A	B	C	D	E	E PWR	F	F PWR	G	H	J		
SPRING DRIVEN REELS																						
CR3100-23-4	ft	85	85	100	100	90				92 LB	in	9	4	15	21	23		18		24.5	13	26
	m	26	26	30	30	27				42 KG	mm	229	102	381	533	584		457		622	330	660
CR3100-25-4	ft	95	100	100	100	100				97 LB	in	9	4	15	21	25		18		26.5	14	27
	m	29	30	30	30	30				44 KG	mm	229	102	381	533	635		457		673	356	686
CR4800-31-4	ft	120	120	130	130	130				118 LB	in	9.25	4	20	30	31		19		33	17.5	34.5
	m	37	37	40	40	40				54 KG	mm	235	102	508	762	787		483		838	445	876
HAND CRANK / MOTOR DRIVEN REELS																						
CR2400-23-12	ft	1900	930	775	520	430	240	155	105	72 LB	in	18	12	11.25	21	23	23	29	29	24.5	13	
	m	579	283	236	158	131	73	47	32	33 KG	mm	457	305	286	533	584	584	737	737	622	330	
CR2400-31-8	ft	2700	1350	1100	750	660	360	185	135	79 LB	in	14	8	11.25	24	31	31	25	25	32.5	17	
	m	823	411	335	229	201	110	56	41	36 KG	mm	356	203	286	610	787	787	635	635	826	432	

Refer to page 26 to build a complete model number.

North America: **800-444-3134** China: **(519) 8512 2391**
 Europe: **+44 (0) 1536 406999** Pacific Rim: **+63 (45) 625-6624**
reelcraft.com Latin America: **001-260-489-1685**

Reelcraft Industries is
ISO 9001:2000
 Certified Since 1996

Models listed with an icon can be shipped same day upon request when the order is received by 11:30 AM local time for quantities of 5 or fewer.

Indiana Warehouse
 California Warehouse
 Indiana & California Warehouses
 Canadian Warehouse

Heavy Duty Cord Reels Series 30000

Heavy Duty Cord and Cable Storage Reels

Hand Crank, Bevel Crank & Motor Driven

Keep long lengths of expensive electrical cord off the ground and out of harm's way with Reelcraft's expanded Series 30000 line, which includes cable storage reels and live power cord. The reels are designed to handle long lengths of 10/3, 12/3 and 16/3 cable.

Reelcraft's Series 30000 storage reels and live power cord reels are constructed of heavy gauge steel and are assembled with vibration-proof, self-locking fasteners to ensure assembly integrity. They undergo a five-stage cleaning process and are individually powder-coated for the highest quality, corrosion-resistant paint adhesion. Suited for indoor, non weather-tight applications only.

Cord/Cable Storage Reels

Cord and cable storage reels are used for storage, unwinding, and winding of conductive cord/cable. The reel is not intended to be live and the power source must be disconnected while reeling/de-reeling to avoid twisting the wires. Series 30000 cable storage reels are available in hand crank only.

Live Power Cord Reels

Live power cord reels have collector rings that allow the reel to wind/unwind the cord/cable with live current without twisting the wires. Live reels offer the advantage of using a reel as an effective piece of operating equipment rather than a simple device for the storage of cable or cord. Series 30000 live power cord reels are available in direct hand crank, bevel gear crank or electric motor-driven rewind.

New!



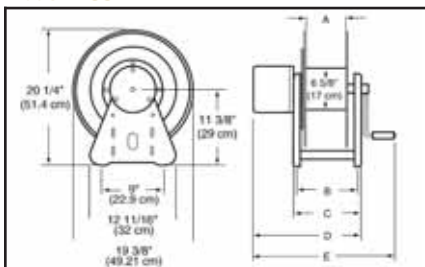
CA30112-CS
Cable not included.

New!



LE312 123 12D

Made in USA



Four 1/2 inch (12.7mm) diameter mounting holes.

DIMENSIONS

	CA30106-CS		CA30112-CS		LB312 123 LB312 103		LC312 103 LC312 103		LE312 123 12D LE312 103 12D	
	in / mm		in / mm		in / mm		in / mm		in / mm	
A	6	152	12	305	12	305	12	305	12	305
B	9 3/4	248	15 3/4	400	15 3/4	400	15 3/4	400	15 3/4	400
C	11	279	17	432	17	432	17	432	17	432
D	N/A		N/A		23 3/4	603	23 3/4	603	23 3/4	603
E	19	483	25	635	29 1/4	743	29 3/8	746	25	635

SPECIFICATIONS

MODEL (without cable)	DRIVE TYPE	CORD SPECIFICATIONS				VOLTS	AMPS	WEIGHT	
		AWG / mm ²	No. Cond	Length (SO) ft / m				lbs	kg
NEW CA30106-CS*	Hand Crank	10 5.211	3	140	43	This reel is for cable only. Not intended to be live.	40	18	
		12 3.131	3	175	53				
		16 1.0524	3	425	130				
NEW CA30112-CS*	Hand Crank	10 5.211	3	280	86	This reel is for cable only. Not intended to be live.	46	21	
		12 3.131	3	350	106				
		16 1.0524	3	850	260				
NEW LB312 123	Bevel Crank	12 3.131	3	200	61	600	25	60	27
NEW LB312 103	Bevel Crank	10 5.211	3	200	61	600	30	60	27
NEW LC312 123	Hand Crank	12 3.131	3	200	61	600	25	50	23
NEW LC312 103	Hand Crank	10 5.211	3	200	61	600	30	50	23
NEW LE312 123 12D**	Motor Driven**	12 3.131	3	200	61	600	25	70	32
NEW LE312 103 12D**	Motor Driven**	10 5.211	3	200	61	600	30	70	32

NOTE: Cord must be fully unspooled before use. Actual fill capacities vary with cord O.D. and jacket type. Consult manufacturer for applications requiring cord types other than SO, SOW, or SJO. Reel suited for indoor, non-weather tight applications only. *Power source must be disconnected while reeling/de-reeling. Through shaft on cable storage reels facilitates cable sizes up to .969" O.D. for other sizes, consult manufacturer. **All motor driven models are 12 volt DC non-explosion proof. Other motor options available upon request.

North America: **800-444-3134** China: **(519) 8512 2391**
 Europe: **+44 (0) 1536 406999** Pacific Rim: **+63 (45) 625-6624**
reelcraft.com Latin America: **001-260-489-1685**





Most Compact

Ideal for locations where space is limited

TW5425 OLP

Bevel Crank

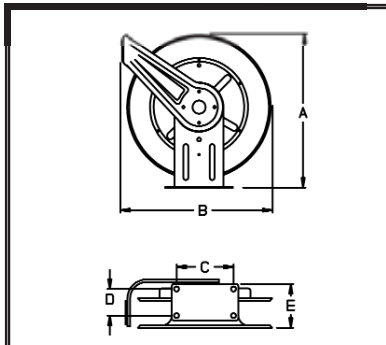
Longest hose lengths up to 250'



BA36106 L

APPLICATIONS

- Workshop
- Industrial
- Welding Trucks
- Automotive
- Construction Equipment
- Railroads
- Cranes
- Bridge Builders
- Crane Riggers
- Mobile Service
- Agricultural
- Mining (above ground)



DUAL HOSE REELS FOR OXYGEN/ACETYLENE AND OXYGEN/FUEL GAS APPLICATIONS

	TW5000 O		TW7000 O		BA36106 L		BA36112 L		TW80000 O	
	in / mm		in / mm		in / mm		in / mm		in / mm	
A	14 1/2	368	20 1/4	514	20 5/8	524	20 5/8	524	25 3/8	645
B	13 3/4	349	19	483	17 3/4	451	17 3/4	451	24	610
C	9 3/4	248	7 7/8	200	9	229	9	229	10	254
D	2 1/2	64	3 7/8	98	9 3/4	248	15 3/4	400	6	152
E	6	152	7	178	16 5/8	422	22 5/8	575	13	330

Model TW5000 O has 5/16" (8mm) diameter mounting holes. TW7000 O has 1/2" (12.7mm) mounting holes and the TW80000 has 1/2" (12.7mm) diameter mounting holes. Acetylene (red) inlet 1/4" FPT / oxygen (green) inlet 1/4" FPT. TW80000 models inlets are 9/16" (14.28mm).

Made in USA

MODELS WITH HOSE				HOSE CAPACITY				MODELS WITHOUT HOSE					
MODEL	WEIGHT		PRESSURE		I.D.		O.D.		LENGTH		MODEL	WEIGHT	
	lbs	kg	psi	bar	in	mm	in	mm	ft	m		lbs	kg
OXYGEN/ACETYLENE REELS													
TW5425 OLP	26	12	200	14	1/4	6	.530	13	25	8	TW5400 OLP	20	9
STW3450 OLP	27	12	300	21	1/4	6	.530	13	50	15			
TW7450 OLP	53	24	200	14	1/4	6	.530	13	50	15	TW7400 OLP	43	20
TW7460 OLP	55	25	200	14	1/4	6	.530	13	60	18	TW7400 OLP	43	20
SERIES 30000 HAND CRANK					1/4	6	.530	13	125	38	BA36106L	50	23
SERIES 30000 HAND CRANK					1/4	6	.530	13	250	76	BA36112L	57	26
WELDING GAS (T-GRADE) REELS													
TW5425 OLPT	26	12	200	14	1/4	6	.530	13	25	8	TW5400 OLPT	20	9
TW7450 OLPT	54	24	200	14	1/4	6	.530	13	50	15	TW7400 OLPT	43	20
TW7460 OLPT	56	25	200	14	1/4	6	.530	13	60	18	TW7400 OLPT	43	20
TW84100 OLPT	105	47	200	14	1/4	6	.530	13	100	30	TW84000 OLPT	80	36
TW86075 OLPT	99	45	200	14	3/8	10	.625	16	75	23	TW86000 OLPT	86	39

Acetylene and fuel gas (red) inlet 1/4" FPT / oxygen (green) inlet 1/4" FPT. TW84000 and TW86000 have B size 9/16" - 18 UNF male welding inlets.

HOSE INLET CONNECTING FITTINGS - OPTIONAL

MODEL NO.	INLET CONNECTION FITTINGS
90°	S300090 ACETYLENE Bsize 9/16 - 18 LH (M) x 1/4" NPT (M)
	S300091 OXYGEN Bsize 9/16 - 18 RH (M) x 1/4" NPT (M)
Straight	261371 OXYGEN Bsize 9/16 - 18 RH (M) x 3/8" NPT (M)
	261372 ACETYLENE/fuel gas - Bsize 9/16 - 18 LH (M) x 3/8" NPT (M)

Hose supplied on oxygen/acetylene reels is twin-Siemese type meeting R.M.A. and C.G.A. type V.D., grade RM specifications. For information on welding cable reel see page 42.

NOTE: Reels without hose, Series TW5400 OLP, TW7400 OLP, TW 84000 OLPT and TW 86000 OLPT are U/L listed #70H2.

In a hurry? We can ship same day!

See page 49 for a complete list of our Quick Ship reels

North America: **800-444-3134** China: **(519) 8512 2391**
 Europe: **+44 (0) 1536 406999** Pacific Rim: **+63 (45) 625-6624**
reelcraft.com Latin America: **001-260-489-1685**

Reelcraft Industries is **ISO 9001:2000** Certified Since 1996

Models listed with an icon can be shipped same day upon request when the order is received by 11:30 AM local time for quantities of 5 or fewer.

- Indiana Warehouse
- California Warehouse
- Indiana & California Warehouses
- Canadian Warehouse



Complete Welding Series

Series TW, STW and BA

FEATURES

- ✓ Designed to improve safety in the work area with an increase in productivity and efficiency
- ✓ Full flow shaft swivels
- ✓ Independent dual swivel body manufactured from aluminum and hard-coated for wear resistance assures positive separation of gases due to its unique design
- ✓ Double-sealed, "O" rings prevent leakage
- ✓ Swivel body and inlet are both permanently identified with machined grooves on the acetylene side to assure proper installation
- ✓ Durable abrasion and corrosion resistant baked-on red powder-coated finish
- ✓ Reel frame, spool and drum are fabricated of heavy gauge steel
- ✓ Temperature operating range - 20° F / -29° C to +250° F / +120° C

	<p>Dual swivel is an exclusive Reelcraft design</p>
<p>Independent dual swivel body manufactured from aluminum and hard coated for wear resistance. Assures positive separation of gases due to its unique design.</p> <p>Double - sealed, special molded "O" rings prevent leakage. Swivel body and inlet are both permanently identified with machined grooves on the acetylene side to assure proper installation. Available with TW 5000 and TW 7000 series reels.</p>	

New!

Economical

Lighter weight for hose lengths up to 50'



STW3450 OLP
*See page 19 for additional details.
Made in Australia

Most Popular

Spring driven for hose lengths up to 60'



TW7450 OLP



High Volume

Dual welding, spring driven for high volume of gas



Available in T grade only

TW84100 OLPT



NOTE: Reels without hose. Model Series TW5400 OLP, TW 7400 OLP, TW 84000 OLPT and TW 86000 OLPT are U/L listed #70H2.

"T" GRADE FUEL GAS REELS

"T" grade hose reels are used for a wide variety of gases such as mapp gas, propane gas, natural gas and fuel gases.

When ordering any welding hose reels you must specify the type of gas being used.

To order "T" Grade reels, add a suffix "T" to the TW Models. Example - TW 5425 OLPT.



Hand Crank Cable Welding Reels Series CEA



CEA30006

- Designed to improve safety in the work area with an increase in efficiency and productivity
- Welding cable reels store work lead or electrode lead, up to #2/0, safely and effectively when not in use. Each lead requires a separate reel. When welding also refer to ANSI/Asc Z 49.1

- Cable reels have a current path through a continuous 400 AMP, 90V DC (maximum) rated enclosed slip ring
- Stores cable when not in use, eliminating tangled, kinked welding cables
- Maintains proper bend radius of cables, providing longer cable life
- Keeps work area and vehicles better organized, resulting in better space utilization

Spring Retractable Cable Welding Reels Series WC

Made in USA



WC80000

Shown with electrode, clamp and cable (not included)



WC7000

FEATURES

- ✓ All-bolted heavy gauge steel construction provides long life and ease of use and maintenance.
- ✓ Manual drum lock prevents spool from turning when not in use preventing unwanted pay out of cable.

APPLICATIONS

- Steel Mills and Foundries
- Metal Working and fabrication
- Auto / Truck Service
- Power Generation and transmission
- Agricultural
- Railroads
- Mining (above ground)

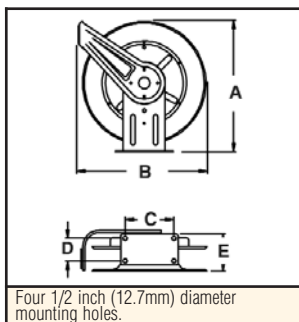
Caution:

If cable reels are to be used for extended periods of time, unwind all cable from reel to prevent heat build-up. For indoor non weather-tight applications only.

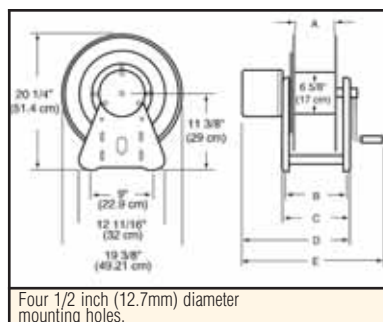
SPECIFICATIONS These reels are all sold without cable

MODEL	REEL CAPACITY				WEIGHT				
	#2 (31mm ²)		#1 (39mm ²)				#1/0 (50mm ²)		#2/0 (62mm ²)
CABLE SIZE	ft / m		ft / m		ft / m		ft / m		lbs / kg
CEA30006	300	91	250	76	200	61	150	46	49 22
CEA30012	500*	152	500*	152	400	122	300	91	56 25
WC7000	_____		50	15	50	15	50	15	49 22
WC80001	_____		75	23	75	23	75	23	80 36
WC80002	_____		100	30	_____	_____	_____	_____	81 37

*May exceed maximum cable length allowable for most welding applications
NOTE: Each cable requires separate reel.



WC DIMENSIONS		WC7000		WC80000	
		in / mm		in / mm	
A	20 1/4	514	25 3/8	645	
B	19	483	24	610	
C	7 7/8	200	10	254	
D	3 7/8	98	6	152	
E	14 3/4	375	16	406	



CEA DIMENSIONS		CEA30006		CEA30012	
		in / mm		in / mm	
A	6	152	12	305	
B	9.75	248	15.75	400	
C	11	279	17	432	
D	15	381	21	533	
E	21	533	27	686	

North America: **800-444-3134** China: **(519) 8512 2391**
 Europe: **+44 (0) 1536 406999** Pacific Rim: **+63 (45) 625-6624**
 Latin America: **001-260-489-1685**
reelcraft.com

Reelcraft Industries is
ISO 9001:2000
Certified Since 1996

Models listed with an icon can be shipped same day upon request when the order is received by 11:30 AM local time for quantities of 5 or fewer.

- Indiana Warehouse
- California Warehouse
- Indiana & California Warehouses
- Canadian Warehouse

Multiple Configurations Safe-T-Reel™ Series

Hand Crank Reels

Up to 150' fuel gas
Up to 200' 12/3 cable

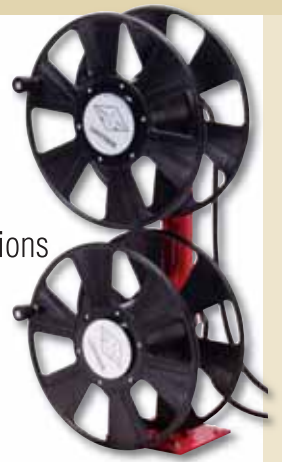
Ideal for applications where space, weight and flexibility are key, these reels are designed for manual winding of air/water/fuel gases hose, electric cord and welding cable. Versatile in function, select configurations to suit specific needs. Safe-T-Reels™ offer trouble-free management of large capacities of hose or cord.



Dual Spool
Side-by-side combinations

Dual Spool

Stacked combinations
T-2464-0



Single Spool



T-1225-04-100T

Detail of heavy duty shaft
with tapered roller bearing for high rigidity



Shaft sizes are 1 to 1.25" in diameter, supported by tapered roller bearings with 2 to 2.3" housings.

Made in USA

SINGLE SPOOL REELS

MODEL	AMP	REEL CAPACITY		WEIGHT	CABLE	A	B	E	
		ft / m	lbs / kg						AWG/Cond
SINGLE WELDING CABLE 600 V									
T-1460-0 CA	300	200	61	22	10	-----	19 483	18 457	16 1/4 413
SINGLE POWER CABLE - 3 CONDUCTOR									
T-1535-003	30	150	45	22	10	8 / 3	19 483	18 457	15 3/4 400
T-1535-083-100*	33	100	30	50	23	8 / 3	19 483	18 457	15 3/4 400
T-1535-103-200*	24	200	61	81	37	10 / 3	19 483	18 457	15 3/4 400
T-1535-123-100*	25	100	30	46	21	12 / 3	19 483	18 457	15 3/4 400
T-1535-123-200*	20	200	61	71	32	12 / 3	19 483	18 457	15 3/4 400

* includes cable

DUAL SPOOL REELS

MODEL	AMP	REEL CAPACITY		WEIGHT	A	B	E	
		ft / m	lbs / kg					in / mm
DUAL SIDE-BY-SIDE WELDING CABLE (2) 600 V, 2/0 cable								
T-2462-0 CA	225	150	45	50	23	19 483	18 457	29 737
DUAL STACKED WELDING CABLE (2) 600 V, 2/0 cable								
T-2464-0 CA	225	150	45	59	27	38 965	18 457	16 1/4 413
DUAL SIDE-BY-SIDE POWER CABLE / AIR HOSE								
T-2735-2-0*	35	200' / 150'	40	18	18	19 483	18 457	29 737

* Air hose side has 1/2" (12.7mm) inlet

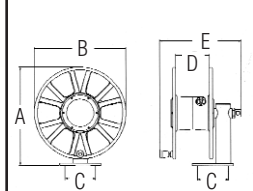
SINGLE SPOOL REELS

MODEL	HOSE I.D.		HOSE O.D.		CAPACITY		WEIGHT		PRESSURE		A	B	E
	in / mm	in / mm	in / mm	in / mm	ft / m	lbs / kg	psi / bar	psi / bar	in / mm	in / mm			
SINGLE AIR/WATER Maximum temperature 150° F (65° C)													
T-1115-08	1/2	13	.844	21	150	46	18	8	300	21	19 483	18 457	15 3/4 400
T-1116-08	1/2	13	.844	21	250	76	18	8	300	21	19 483	18 457	21 3/4 552
T-1117-12	3/4	19	1.188	30	50	15	22	10	250	17	19 483	18 457	15 3/4 400
T-1118-12	3/4	19	1.188	30	75	23	22	10	250	17	19 483	18 457	21 3/4 552
SINGLE OXYGEN-ACETYLENE T-GRADE SEALS Maximum temperature 150° F (65° C)													
T-1225-04 CA	1/4	6	.530	13	150	45	19	9	200	14	19 483	18 457	16 1/8 410
T-1225-04-100T	1/4	6	.530	13	100	30	44	20	200	14	19 483	18 457	16 1/8 410
T-1226-06	3/8	10	.625	16	100	30	19	9	200	14	19 483	18 457	16 1/8 410

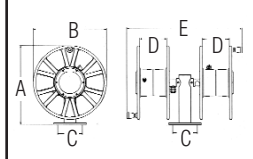
Caution: Compressed air hoses should not be converted to oxygen service. Compressed air hoses are often contaminated with an oil coating, which can react explosively when oxygen is introduced. Oxygen/Acetylene cannot be combined with welding cable or power cord. **Note:** Models listed are without hose and/or cable. Weights listed above are actual product weight without packaging materials. Safe-T-Reels™ are available with cable or hose and in various combinations. Please consult Reelcraft customer service for additional information.

DIMENSIONS

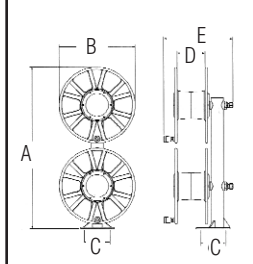
MODEL	DIMENSIONS	
	C	D
inches		
T-1115 / T-1117	6	6.5
T-1225 / T-1226	6	6.5
T-1460 / T-1535	6	6.5
T-1116 / T-1118	6	12.5



T-2462	6	6.5
T-2735	6	6.5



T-2464	6	6.5
--------	---	-----



All reels have four 1/2" (13mm) diameter mounting holes

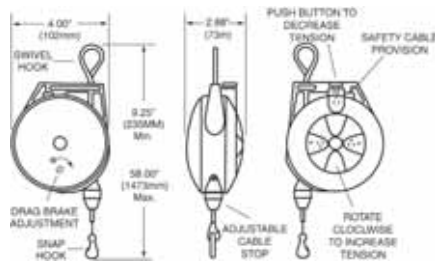


TOP FIVE BENEFITS

1. Balances the weight of assembly tools, making them nearly weightless
2. Reduces operator fatigue
3. Improves safety and ergonomics
4. Increases productivity, keeps tools positioned for immediate use with minimal operator motion
5. Reduces tool damage, prevents tools from being accidentally dropped

SERIES TB 1-5 DIMENSIONS

ALL DIMENSIONS IN INCHES (mm)



Medium Duty
TB 1-5



Heavy Duty
TBL 10-23

SAFETY CLIP

261241

Bright zinc plated steel safety latch for tool attachment and other uses. Measures 2.375" (60mm) long. Included with each model.

Tool balancers make tools nearly weightless, reduce fatigue

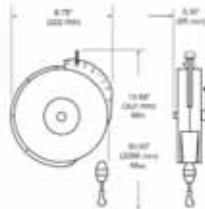
TOOL BALANCERS Medium Duty Selection Chart

MODEL	MIN - MAX LOAD		CABLE LENGTH*		REEL WEIGHT	
	lbs	kg	ft	m	lbs	kg
TB 01	0.0 - 1.5	0.0 - 0.7	6	1.8	1.0	0.5
TB 03	1.5 - 3.0	0.7 - 1.4	6	1.8	1.0	0.6
TB 05	3.0 - 5.0	1.4 - 2.3	6	1.8	1.5	0.7

*Cable lengths listed are "active" or "working" cable. Safety tool clip and cable stop included.

TB 10-23 DIMENSIONS

ALL DIMENSIONS IN INCHES (mm)



TOOL BALANCERS Heavy Duty Selection Chart

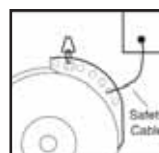
MODEL	MIN - MAX LOAD		CABLE LENGTH*		REEL WEIGHT		RATCHET LOCK
	lbs	kg	ft	m	lbs	kg	
Constant pull reels - may be adjusted to balance through 6-18 in. (152-457mm) range.							
TB 10	5.0 - 10	2.3 - 4.5	8	2.4	10	4.5	NO
TB 12	8.0 - 12	3.6 - 5.4	8	2.4	10	4.5	NO
TB 15	10 - 15	4.5 - 6.8	8	2.4	10	4.5	NO
TB 23	16 - 23	7.2 - 10.4	8	2.4	10	4.5	NO
Reels with ratchet lock - retract tool upward when manually released							
TBL 10	5.0 - 10	2.3 - 4.5	8	2.4	6	2.7	YES
TBL 12	8.0 - 12	3.6 - 5.4	8	2.4	7	3.1	YES
TBL 15	10 - 15	4.5 - 6.8	8	2.4	8	3.6	YES
TBL 23	16 - 23	7.2 - 10.4	8	2.4	8	3.6	YES

*Cable lengths listed are "active" or "working" cable. Safety tool clip and cable stop included.

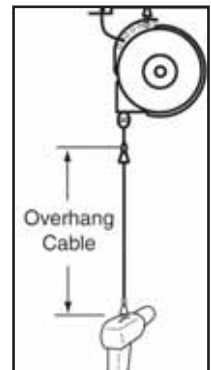
Optional Accessories

Cables can be combined for added length

OVERHANG CABLE	
MODEL NO.	LENGTH
600605-3	3.0 ft / 91.5 cm
600605-5	5.0 ft / 152.4 cm
SAFETY CABLE/CHAIN	
MODEL NO.	LENGTH
600603*	1.0 ft / 30.5 cm
600604**	1.0 ft / 30.5 cm



Strongly recommended, secondary steel cable or steel link chain. Prevents balancer from accidental fall. Balancers have extra holes for cable or chain.



Nylon covered steel cable with safety clip. Brings tools closer to work area without unwinding cable from reel or mounting reel at lower height.

Reel Accessories

Roller Guides and Mounting Brackets



HR 1057



HR 1059

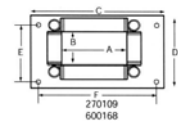
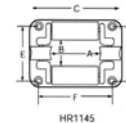
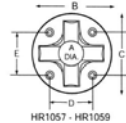


600168

ROLLER HOSE GUIDE ASSEMBLIES

MODEL NUMBER	ACCOMMODATES HOSE O.D. in (mm)	WEIGHT lbs / kg	DIMENSION											
			A		B		C		D		E		F	
			in / mm	in / mm	in / mm	in / mm	in / mm	in / mm	in / mm	in / mm	in / mm	in / mm		
HR 1057	.603 (16) - .906 (23)	.25 .12	0.875 22.3	3.125 79.4	3.125 79.4	3.125 79.4	1.6875 29.8	1.6875 29.8	1.6875 29.8	N/A				
HR 1059	.250 (6.4) - .625 (15.9)	.25 .12	0.625 15.9	3.125 79.4	3.125 79.4	3.125 79.4	1.6875 29.8	1.6875 29.8	1.6875 29.8	N/A				
HR 1145	.603 (16) - .906 (23)	.34 .15	2 50.8	1 25.4	3.75 95.3	2.75 69.9	2.125 54.1	3.125 79.4						
S270109	.900 (23) - 2.00 (50.8)	5.39 2.44	5.25 133.4	2.375 60.4	12 305	8 204	5 127	10.5 267						
600168	.900 (23) - 1.375 (34.9)	.75 .34	1.75 44.5	2.0625 27	5.125 130	5.125 130	4 102	4 102						

These four-way roller guide assemblies are for use with reels on cabinet door openings and for similar locations where sharp edges may cut or damage the hose, four-way design permits pulling or retracting hose at any angle. Model S270109 has nylon rollers mounted on an 11 gauge steel frame with pre-drilled mounting holes.



Note: A hose bumper should be used with the four-way roller hose guide assemblies to prevent damage to rollers and nozzles. See chart on page 47.

ADDITIONAL ACCESSORIES

	340° PIVOT BASE Aligns reel to the direction of hose or cord run. May be mounted with reel upright or hanging. Weight 10 lbs. (5kg). Note: Use if hoses or cords are pulled at more than 45°.	FOR REEL SERIES	PART #
		RT / 4000 / 5000 / 5005 / 7000	600608
		80000 / D80000 / 30006	600801
		30012	600801-12
	WALL-MOUNTED UNIVERSAL SWING BRACKET Bracket will pivot approximately 180°. All steel construction with a durable baked on powder coat finish. Weight 6 lbs (3kg). Note: Use if hoses or cords are pulled at more than 45°. Note: Not for overhead mounting.	FOR REEL SERIES	PART #
		RT	600992
		4000 / 5000	600993
		RT / 4000 / 5000 / 5005 / 7000	600626
		80000 / D80000 / DP7000	600980
	TOP MOUNTING CHANNELS and BEAM CLAMPS 600370 Top channel and beam clamps -for one reel 600295 Top channel and beam clamps -for two reels For mounting Series 4000 through 7000 reels to I-beam or overhead support. Mounting channels can be mounted end to end to mount three or more reels.		
		600230 Adaptor Assembly Channels are designed to accommodate Series 7000 reels. Adaptor #600230 permits the mounting of Reelcraft Series RT, 4000, 5000, 5005 and electric cord reels on mounting channel. Used with top channels and beam clamps only.	

ADDITIONAL SERIES 30000 ACCESSORIES

S600808 Operating switch	600518 Chain guard	600829-100 Hose, 1" I.D. X 100'
600848-3 Top hose roller guide	600812 Battery box (Battery not included)	601044-150 Hose, 3/4" I.D. X 150'
600226-3 Bottom hose roller guide	600814 Battery cable connector	600964 Inlet hose, 1" I.D. X 10'

ROLLER GUIDE ASSEMBLIES

Three-way rollers 	Four-way rollers (multi-position)
-----------------------	---------------------------------------

Spools and blocks are chrome-plated to resist corrosion and abrasion. Rollers speed handling and reduce wear on hose. All painted parts are finished with durable abrasion resistant baked-on powder coat. Delrin bearing surfaces give a quiet operation with minimum wear and all features combine to give trouble-free maximum service life.

Hose Reel Spool Size	Bottom Wind Roller Bracket Assembly Model Number	Top Wind Roller Bracket Assembly Model Number	Multi Position Roller Bracket Assembly Model Number
in / mm			
Series 30000 - Four Way Rollers			
6 152	S600693-1	S600692-1	S600533-1
12 305	S600693-2	S600692-2	S600533-2
18 457	S600693-3	S600692-3	S600533-3
22 559	S600693-4	S600692-4	S600533-4
28 711	S600693-5	S600692-5	S600533-5
Series 30000 - Three Way Rollers			
6 152	S602132-1	S602133-1	
12 305	S602132-2	S602133-2	
18 457	S602132-3	S602133-3	
22 559	S602132-4	S602133-4	
28 711	S602132-5	S602133-5	

Bottom wind and top wind may be used with all models except bevel crank. Multi position may not be used on models with a chain guard or 37000 series reels.



Operating Switches

S600872



S600870
Push button switch for 115 and 230 volt AC reel motors. 10 AMP fuse. Used for motor #S260430.

S600872
Push button switch for 115 and 230 volt AC reel motors. 10 AMP fuse and adjustable speed control. Used for motor #S260430.

600871
AC speed control - adjustable. To be used in a system which already has a switch. Used for motor #S260430.

600866
Speed control - 12/24 VDC. Used for motor #S260409, S260583, 260450 and S260626.

600811
Push-button switch - used for all 12 or 24 volt reel motors #S260409 and 260450; up to 1/3 h.p.

S600808
600811 switch when packaged with 261604-35 mounting bracket. Used for motor #S260409 and 260450.

600869
Push-button switch - used for all 12 or 24 volt reel motors #S260583 and S260626; up to 2/3 h.p.

600867
Speed control switch with 25 AMP circuit breaker. Used for motor #S260409; up to 1/3 h.p.

600868
Speed control switch with 40 AMP circuit breaker. Used for motor #S260583; up to 2/3 h.p.

S260422
Circuit breaker - 40 AMP. Recommended for use with D.C. electric rewind motors. Manual reset, push-button must be pressed firmly to reset.

S260426
Starting solenoid - 12 volt D.C. for activation of motor.

260424
Push button switch - Sealed momentary contact switch with rubber cap. For 12 or 24 volt D.C. service.

260425
Explosion proof switch, class 1 group D, for direct starting and control for A.C. rewind motor. Press to start, release to stop. May also be used with solenoid for 12 or 24 volt D.C. service.

260532
Mounting bracket - combination for circuit, solenoid and starting switch.

370200
Junction Box - for explosion proof motor.



600867



S260422



S600808



S260426



260424



260425



260532

Rewind Motors

Reels are equipped with electric or compressed air motors to drive chain and sprocket rewind mechanisms.

Electric Motors



S260409 Reversible type, 12 Volt D.C. 1/3 HP.

260450 Reversible type, 24 Volt D.C. 1/3 HP.

S260430 Reversible type, single phase, explosion proof, Class 1 Group D, 115 volt A.C. 1/2 HP. An explosion proof, Class I Group D junction box is available for wiring A.C. motors. #260425.



S260626 24 Volt D.C. 2/3 HP. Electric motor reversible type. Explosion proof.

S260583 12 Volt D.C. 2/3 HP. Electric motor reversible type. Explosion proof.

Hydraulic Motor



370066 1021 RPM, 668 lb-in, 2400 psi intermittent 1800 psi continuous.

Air Motors



260428 4 AM delivers up to 1 1/2 horsepower, 1/4" N.P.T. (F) inlet.

260429 6 AM delivers up to 4 horsepower, 1/2" N.P.T.F. (F) inlet.

Additional Accessories



S600518
Optional chain shroud for Series 30000 reels and Nordic Series 1200.



261746
Optional chain shroud for Series 40 and Nordic Series 2400, 3700 and 3900 reels.

260454 Pneumatic on/off flow control valve assembly, 1/4" N.P.T. (F) inlet and outlet to be used with 4 AM compressed air motors. We also recommend using a filter, regulator, and lubricator with compressed air motors. See page 22 for series 30000 hand crank and motor driven reels.

260455 Same as above with 3/8" N.P.T.F. (F) inlet and outlet, to be used with 6 AM motors.

North America: **800-444-3134** China: **(519) 8512 2391**
Europe: **+44 (0) 1536 406999** Pacific Rim: **+63 (45) 625-6624**
Latin America: **001-260-489-1685**

reelcraft.com

Reelcraft Industries is
ISO 9001:2000
Certified Since 1996

Models listed with an icon can be shipped same day upon request when the order is received by 11:30 AM local time for quantities of 5 or fewer.



Indiana Warehouse



California Warehouse









Indiana & California
Warehouses



Canadian Warehouse

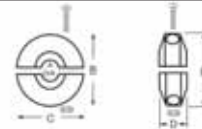
Reel Accessories

Bumpers and Inlet Assemblies

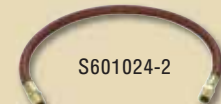
FOR REEL SERIES	PART NUMBER	HOSE O.D. (DIA. A)		HOSE I.D.		DIA. B-C-E		DIA. D		WEIGHT lbs / kg	
		in (mm)		in / mm		in / mm		in / mm			
4000 / 5000 / RT400 / 3100 6000 / L4500 / L5000	1-HR1004-A	.438 (11) - .625 (16)		1/4	6	2.5	64	1.25	32	.24 .10	2-HR1004-3
4000 / 5000 / D8000 / RT400 RT600 / 6000	1-HR1004	.625(16) - .749 (19)		3/8	10	2.5	64	1.25	32	.25 .11	
7000 / 80000 / E8000 / 3100 RT800 / 5000 / D80000	1-HR1004-3	.625 (16) - .749 (19)		3/8	10	3	73	1.25	32	.24 .10	
5000 / A5005 / 7000 / 80000 D8000 / E8000 / RT800	2-HR1004-3	.750 (19) - 1.05 (27)		1/2 / 3/8	13 / 10	3	73	1.25	32	.23 .10	
7000 / 8000 / D8000 / 80000 GC7000 / F7000 / F80000 / L7000 / DGM	3-HR1004-3	1.06 (27) - 1.30 (33)		3/4	19	3	73	1.25	32	.32 .14	8-HR1004-3
TW5000 / TW7000 / 3100T TW80000 / TWD80000	8-HR1004-3	.530 (13) twin		1/4	twin 6	3	73	1.25	32	.24 .10	
TH80000 / TW80000 / 3100T TH7000 / TW8000	600521	.680 (17) twin		3/8	twin 10	3.5	89	2	51	.45 .20	
3100T / 4800T / TH80000	600522	.810 (21) twin		1/2	twin 13	3.5	89	2	51	.49 .22	600521
D9000 / E9000 / 3100 / 4800	2-HR1005	.750 (19) - 1.05 (27)		1/2	13	3.5	89	2.875	73	.95 .43	
D9000 / E9000 / FE9000 / 3100 / 4800	3-HR1005	1.06 (27) - 1.38 (35)		3/4	19	3.5	89	2.875	73	.95 .43	
D80000 / D8000 / D9000 / E9000 / FD9000 / FE9000 / 3100 / 4800	4-HR1005	1.39 (35) - 1.55 (39)		1	25	3.5	89	2.875	73	.81 .36	
FE9500 / FF9500 / 4800	S600547-1	1.55 (39) - 1.75 (44)		1 1/4	32	3.75	95	2.875	73	.70 .31	
FE9600 / FF9600 / 4800	S600547-2	1.75 (44) - 2.03 (52)		1 1/2	38	3.75	95	2.875	73	.57 .25	4-HR1005

FOR REEL SERIES	PART NUMBER	HOSE I.D.		LENGTH ft / m	NPFT (M) (FITTINGS)		WORKING PRESSURE		WEIGHT lbs / kg	
		in / mm			in / mm		psi / bar			
4000 / 5000 / 5005	S601024-2	3/8	10	2 .61	3/8 x 3/8	10 x10	300	21	.54 .24	
7000 / 8000 / 80000 / RT605 / 32000	S601020-2	1/2	13	2 .61	1/2 x 1/2	13 x13	300	21	.70 .32	
D8000	S601027-2	1	24	2 .61	1 x 3/4	13 x19	250	17	1.72 .78	
D8000 / 33000	601034-3	3/4	19	3 .92	3/4 x 3/4	19 x19	250	17	1.72 .78	
5000 / 5005 (OMP and EMP)	32-260043	3/8	10	2 .61	3/8 x 3/8	10 x10	2250	155	1.00 .45	
7000 / 80000 (O and EMP)	S17-260043	1/2	13	2 .61	1/2 x 1/2	13 x13	2000	138	.91 .41	
5000 / 5005 (O and EHP)	S17-260044	1/4	6	2 .61	1/4 x 1/4	6 x6	5000	345	1.00 .45	
7000 O / D8000 O / D8000 EHP	S14-260044	3/8	10	2 .61	1/2 x 3/8	13 x10	4000	276	.83 .38	
TWIN WELDING INLET HOSE (OXYGEN/ACETYLENE)										
TW5000 / TW7000	S600100-2	1/4	6	2 .61	(Male/Female)		200	14	.70 .32	
TW5000 / TW7000	S600100-4	1/4	6	4 1.22	(Male/Female)		200	14	1.60 .73	
TW5000 / TW7000	S600100-6	1/4	6	6 1.83	(Male/Female)		200	14	1.50 .68	
'T' GRADE TWIN WELDING INLET HOSES										
TW5000 T / TW7000 T	S601031-2	1/4	6	2 .61	(Female both ends)		200	14	.70 .32	
TW5000 T / TW7000 T	S601031-4	1/4	6	4 1.22	(Female both ends)		200	14	1.12 .51	
TW5000 T / TW7000 T	S601031-6	1/4	6	6 1.83	(Female both ends)		200	14	1.90 .86	

Adjustable hose bumpers are solid molded rubber assuring a long life and nonslip grip. Hose bumpers allow the desired length of hose to be permanently stored outside the reel. Hose bumpers are included on the reels purchased with hose. Reels purchased without hose do not include the hose bumper. When ordering, advise the part number, reel model and the hose I.D. and O.D.



A flexible hose connection must be used between the hose reel inlet and the source of supply to prevent possible misalignment and binding or warranty is void. Please furnish the following information when ordering: Part number-product and pressure to be handled. Other sizes available as well.



Replacement Hose Assemblies Partial list

PART NUMBER	I.D.	O.D.	LENGTH	PRESSURE	BRAID	END FITINGS		WGT
	in	in	ft	psi		inches		
LOW PRESSURE Air and water								
601001-25	1/4	.500	25	300	Nylon Braid	¼ x ¼	NPTF(M)	3.0
601001-35	1/4	.500	35	300	Nylon Braid	¼ x ¼	NPTF(M)	3.2
601013-25	3/8	.640	25	300	Nylon Braid	¼ x ¼	NPTF(M)	4.5
S601013-35	3/8	.640	35	300	Nylon Braid	¼ x ¼	NPTF(M)	4.7
601013-50	3/8	.640	50	300	Nylon Braid	¼ x ¼	NPTF(M)	6.0
601017-70	3/8	.640	70	300	Nylon Braid	½ x ¼	NPTF(M)	7.9
601015-100	3/8	.640	100	300	Nylon Braid	½ x ¾	NPTF(M)	18.3
601017-50	3/8	.640	50	300	Nylon Braid	½ x ¼	NPTF(M)	6.0
601021-50	1/2	.781	50	300	Nylon Braid	½ x ¾	NPTF(M)	10.5
601022-50	1/2	.781	50	300	Nylon Braid	½ x ½	NPTF(M)	10.5
601022-100	1/2	.781	100	300	Nylon Braid	½ x ½	NPTF(M)	25.0
601026-50	3/4	1.062	50	250	Nylon Braid	¾ x ¾	NPTF(M)	15.0
601026-75	3/4	1.062	75	250	Nylon Braid	¾ x ¾	NPTF(M)	19.1
601027-50	1	1.281	50	250	Nylon Braid	1 x ¾	NPTF(M)	21.8
MEDIUM PRESSURE Oil and petroleum fluids								
12-260043	3/8	.713	25	2250	1 Wire	¾ x ¾	NPTF(M)	6.0
16-260043	3/8	.713	30	2250	1 Wire	¾ x ¾	NPTF(M)	7.1
7-260043	1/2	.846	40	2000	1 Wire	½ x ½	NPTF(M)	11.7
8-260043	1/2	.846	50	2000	1 Wire	½ x ½	NPTF(M)	14.1
HIGH PRESSURE Chassis grease								
7-260044	1/4	.691	30	5000	2 Wire	¼ x ¼	NPTF(M)	7.7
9-260044	1/4	.691	50	5000	2 Wire	¾ x ¼	NPTF(M)	12.7
13-260044	3/8	.777	25	4000	2 Wire	¼ x ¼	NPTF(M)	9.7
5-260044	3/8	.840	50	4000	2 Wire	¾ x ¼	NPTF(M)	19.2
TWIN WELDING ¼" Oxygen-acetylene								
601032-25	¼ dual		25	200	1 Fabric	9/16-18	LH/RH (F)	6.5
601032-50	¼ dual		50	200	1 Fabric	9/16-18	LH/RH (F)	12.1
601032-60	¼ dual		60	200	1 Fabric	9/16-18	LH/RH (F)	13.3
601032-100	¼ dual		100	200	1 Fabric	9/16-18	LH/RH (F)	24.2
TWIN WELDING ¼" 'T' Grade								
601031-25	¼ dual		25	200	1 Fabric	9/16-18	LH/RH (F)	6.5
601032-50	¼ dual		50	200	1 Fabric	9/16-18	LH/RH (F)	12.11
601031-60	¼ dual		60	200	1 Fabric	9/16-18	LH/RH (F)	14.41
601031-100	¼ dual		100	200	1 Fabric	9/16-18	LH/RH (F)	24.21

CAUTION: Be sure working pressure required does not exceed above ratings. Misapplication can result in serious operator injury. **NOTE:** Advise product to be handled, maximum temperature and pressure fitting size or sizes when ordering.



601022-50
**AIR & WATER
HOSE ASSEMBLY**

Two Year Limited Warranty

Reelcraft now offers a two year limited warranty. All products manufactured by Reelcraft Industries, Inc. are warranted to be free of defects due to faulty material or workmanship for 24 months from date of shipment, except hose. Normal wear and tear is not considered a defect in material or workmanship. Reelcraft's liability shall be limited to repair or replacement of defective material during the warranty period and will be at Reelcraft's discretion when returned pre-paid to its plant or authorized service depot. The warranty does not cover damage caused by accident, abuse, neglect or improper installation. Reelcraft products must be installed, maintained and operated in accordance to the recommendation of Reelcraft and the manual of instructions. Failure to use circuit breakers on electric motors, filter, lubricators on air motors and flexible inlet connections will void warranty. Equipment, products, components and hoses not manufactured by Reelcraft are subject to the original manufacturer's guarantee and warranties. Hoses carry a six month warranty as listed by the manufacturer. Reelcraft will assist in filing claims, but does not have any additional responsibility if original manufacturer denies warranty claim. Products built to customer specifications and requirements, Nordic Series and Series 40 or products incorporating variation from cataloged items are considered special and are not subject to cancellation or returnable for credit under any circumstances. Reelcraft reserves the right to modify or alter product, dimensions, design and construction to improve performance.

NOTE: For complete warranty information, online warranty registration, service manuals, and return information please visit www.reelcraft.com.

Return Policy

Materials/products returned pre-paid to Reelcraft for warranty inspection/consideration and found to be defective will be repaired/replaced at no charge to the customer per Reelcraft's discretion. Materials/products deemed not defective will require customer authorization to repair or replace at customer's expense.

Warranty Return Protocol:

1. Contact Reelcraft customer service at 1-800-444-3134 and request an authorization number. Warranty claims will require the following information before a return

authorization number (RGA) can be issued.

- A. Product/model number.
- B. Serial number.
- C. Invoice number.

Additional information regarding the specific reason for return will be required to process requests.

2. If a replacement is required prior to Reelcraft receiving your return, the items being sent will be invoiced to your account until the warranty process is completed.
3. Once given an RGA number, all corresponding inquiries, paperwork and boxes will require this number. Reelcraft reserves the right to refuse returns without an RGA number.

4. Upon receipt of your warranty return and all the warranty conditions are met, a credit memo will be issued to your account and forwarded for your records. If there is a problem with your return, a customer service representative will contact you to discuss it further.

5. If you desire, a warranty report is available to be forwarded or discussed with you regarding your specific return and Reelcraft's findings. Please contact Reelcraft's Customer Service Department toll-free: 1-800-444-3134.

NOTE: For complete warranty information, online warranty registration, service manuals and return information please visit www.reelcraft.com.

North America: **800-444-3134** China: **(519) 8512 2391**
 Europe: **+44 (0) 1536 406999** Pacific Rim: **+63 (45) 625-6624**
 Latin America: **001-260-489-1685**
reelcraft.com

Reelcraft Industries is
ISO 9001:2000
Certified Since 1996

Models listed with an icon can be shipped same day upon request when the order is received by 11:30 AM local time for quantities of 5 or fewer.





Page 22
Series 30000



Page 40
Series TW7000



Page 22
Series 30000

Rely on Reelcraft™

Built Better to Perform Better™

North America and Corporate Headquarters

2842 E. Business Hwy. 30
Columbia City, IN 46725
Ph: 800-444-3134 • Fax: 800-444-4587
Ph: 260-248-8188 • Fax: 260-248-2605
reelcraft@reelcraft.com
www.reelcraft.com

Latin America and the Middle East

Thompson International, Inc.
P.O. Box 12958, Ft. Wayne, IN 46866
Ph: 260-489-1685 • Fax: 260-489-0203
info@t-i-i.com
www.reelcraft.com/latinamerica

China

Reelcraft Changzhou Co., Ltd.
Building C, No. 229 HeHai West Road
Changzhou, Jiangsu, China 213022
Ph: (519) 8512 2391 ext. 8002 • Fax: (519) 8512 9309
rco@reelcraftchina.com
www.reelcraft.com/china

Europe

Unit 17 • Cronin Courtyard
Weldon South Industrial Estate
Corby • Northamptonshire • NN18 8AG United Kingdom
Ph: +44 (0) 1536 406999 • Fax: +44 (0) 1536 406777
europe@reelcraft.com
www.reelcraft.com/europe

Pacific Rim

P.O. Box 53776, Clark Freeport Zone, Philippines 2023
Ph: +63 (45) 625-6624 • Fax: +63 (45) 321-0643
rap@comclark.com
www.reelcraft.com/asia

Australia

PO Box 6463 BC, Blacktown • NSW 2148, Australia
Ph: +61 (2) 9621 8988 • Fax: +61 (2) 9621 7688
sales@recoila.com
www.reelcraft.com

reelcraft.com

Form # 917-1097 0906

